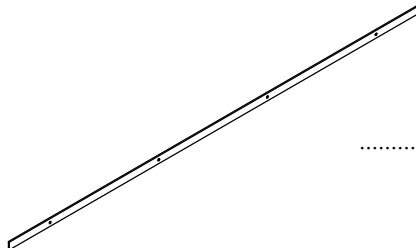

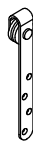







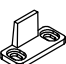

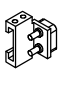






⚠ ATTENTION ⚠

BEFORE STARTING YOUR INSTALLATION, PLEASE REVIEW THIS INSTALLATION SHEET IN ITS ENTIRETY.

TABLE OF CONTENTS:

1 X Top rail	4 X Wall mount
4 X Sliding Bracket	4 X Washer
2 X Cabinet door handle	4 X M6 x 60 Bolt Screw
8 X Set screw	16 X 23/32" Wood screw
1 X 2mm Hex key	4 X 1-1/4" Wood screw
2 X Cabinet Door Guides	2 X Left Cabinet Door Stop
		2 X Right Cabinet Door Stop
		4 X 1-1/4" Pan head screws
		4 X Rail guards
		4 X 3/4" Wood screws
		4 X Plastic molly

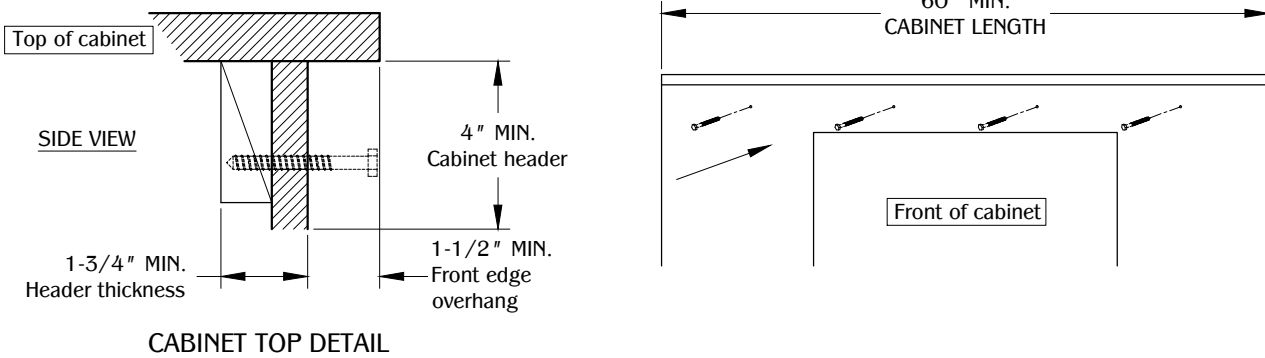
NOTE:

We suggest you fully unpack your hardware and lay out your assembly before you start drilling or cutting.

TOOLS REQUIRED:

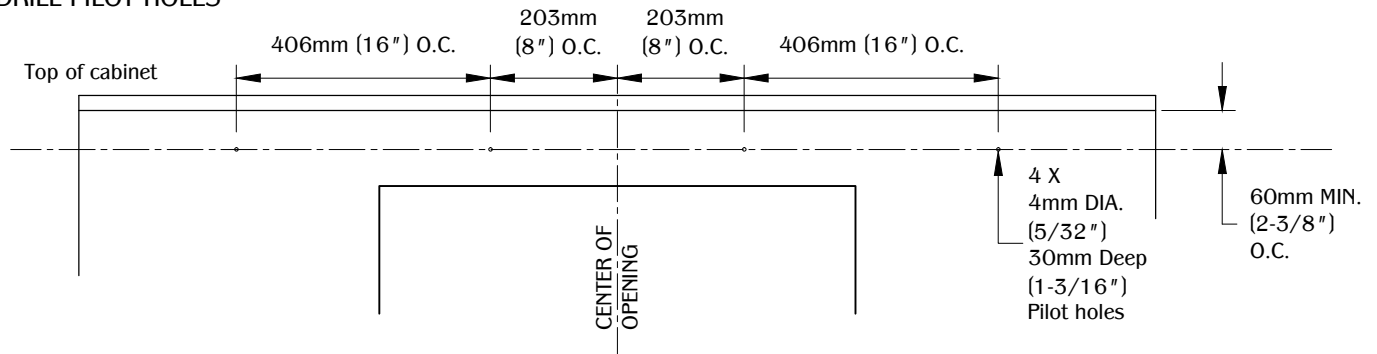
Tape measure	Level guide	6mm Wrench/Socket	Drill
Pencil	T-Square	Phillips screw driver	4mm (3/32") DIA. Drillbit

1 TOP RAIL INSTALLATION REQUIREMENTS



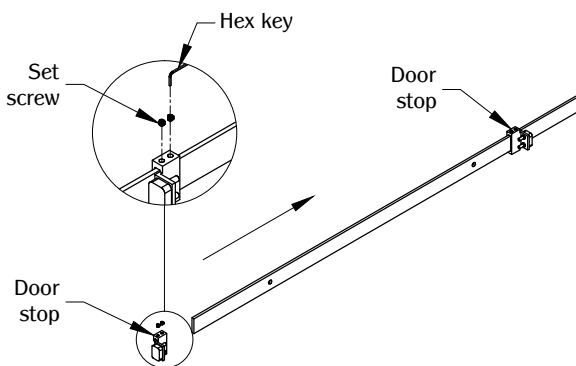
Determine if the cabinet meets the requirements for the SDH4 installation. The cabinet length must be at least 60" MIN. The cabinet header must be at least 4" MIN. from the cabinet opening. Overhang for the top of cabinet must be 1-1/2" MIN. (Note: Header thickness must be 1-3/4" to accept bolt screw for secure hold.)

2 DRILL PILOT HOLES



Mark the mounting positions and drill the pilot holes for the mounting hardware on the top portion of the cabinet. Make sure the pilot holes are leveled and aligned with 60mm (2-3/8") space required.

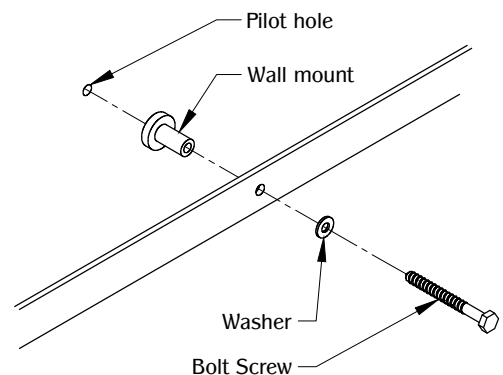
3 INSIDE DOOR STOP



Slide a Left and Right Cabinet door stop to the **middle** of the Top Rail. Use the hex key to align and lightly tighten the set screws on top of the door stops enough for it to stay put.

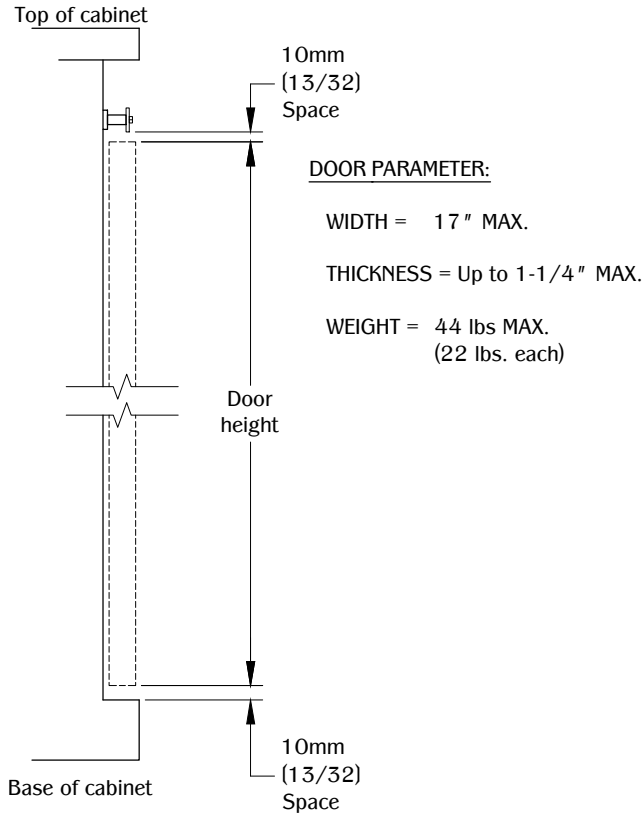
(Note: Final adjustments in Step #12.)

4 MOUNTING THE RAIL



Align the Top rail to the pilot hole with the wall mount and washer. Secure the rail with the bolt screw. (Repeat 4 times)

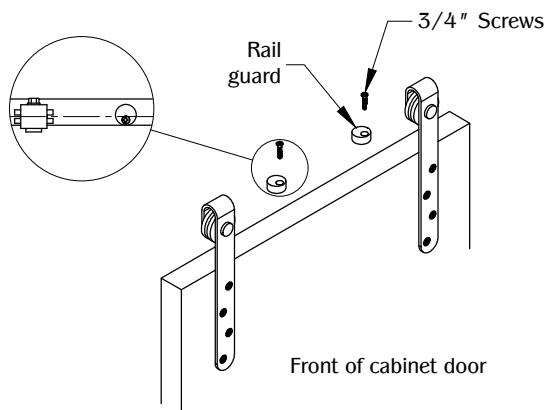
5 CALCULATE DOOR SIZE



SIDE VIEW

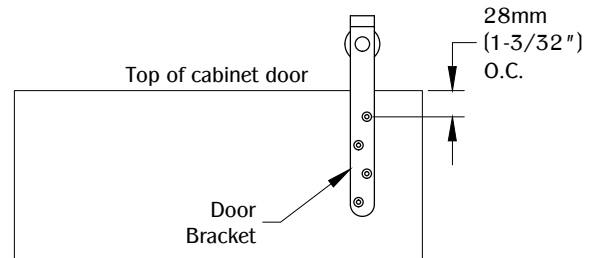
Determine the height of the cabinet. Allow 10mm (13/32") space for the top and bottom of the cabinet. Follow the parameters listed above.

8 INSTALL RAIL GUARDS



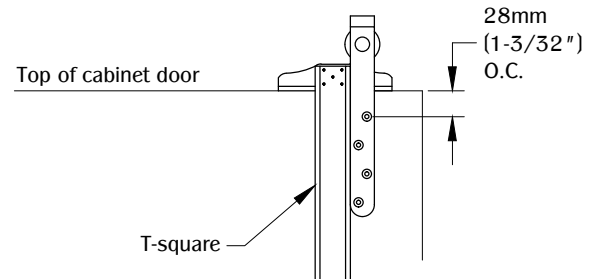
Install the rail guard on top edge of the cabinet door(s). Make sure it is aligned with the wheel of the bracket.

6 INSTALLING THE CABINET DOOR BRACKETS



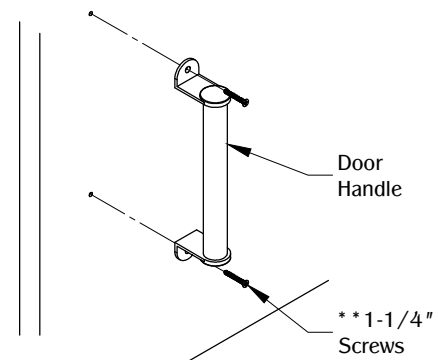
Mark the first mounting hole from the cabinet brackets. Allow 28mm (1-3/32") from the top of the door cabinet.

7



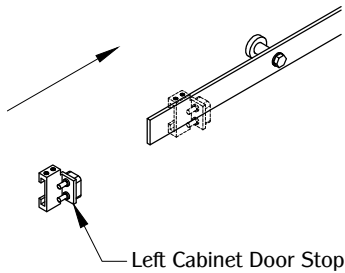
Use a T-square to line up the bracket perpendicular to the top edge. Use the 3/4" wood screws to secure the part. (Repeat 4 times)

9 INSTALL DOOR HANDLE



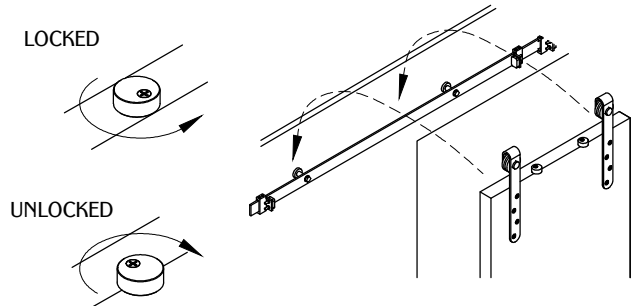
Determine the position and location of the door handle on the work surface. Secure the part by using (2) screws on each door. (Repeat 1 time) (**Note: Mounting hardware not included for material thickness less than 1-1/4".)

10 INSTALLING THE OUTER DOOR STOP



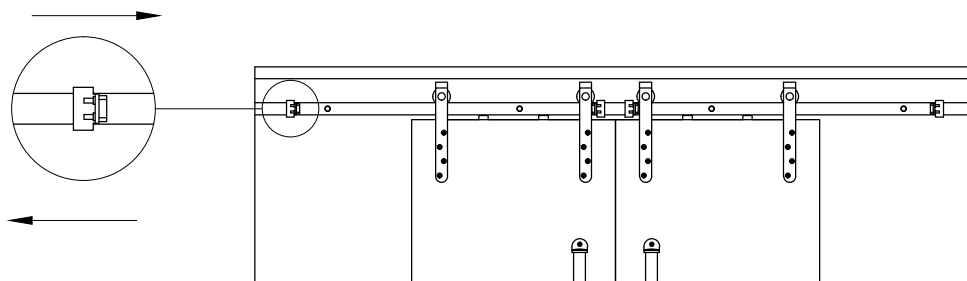
Install the outer door stop onto both ends of the top rail. Use the hex key to align and lightly tighten the set screws.

11 MOUNTING THE CABINET DOORS



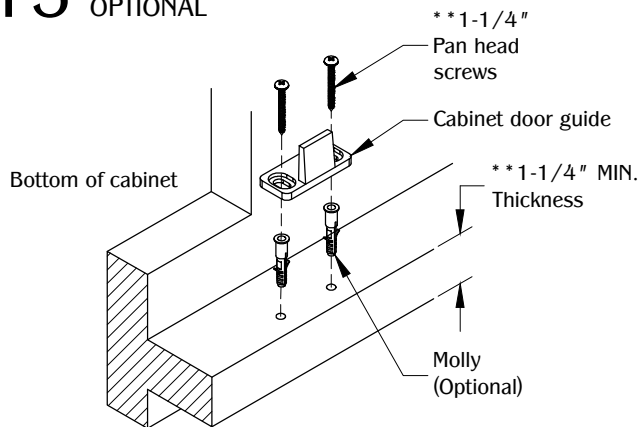
Set the door bumper to unlock. Place the assembled cabinet doors on the rail. (Note: Make sure to lock the door bumper before sliding the cabinet doors.)

12 FINAL ADJUSTMENTS



Loosen the set screws on top of the door stops by using the provided hex key. Slide the inner and outer stops to your preferred distance and setting. (Note: If the wall mount interferes with the door stop, the wall mount might need to be temporarily uninstalled.)

13 OPTIONAL



Install the door guides at the bottom of the cabinet door. (**Note: Mounting hardware not included for material thickness less than 1-1/4".)