

PART #

SDH3

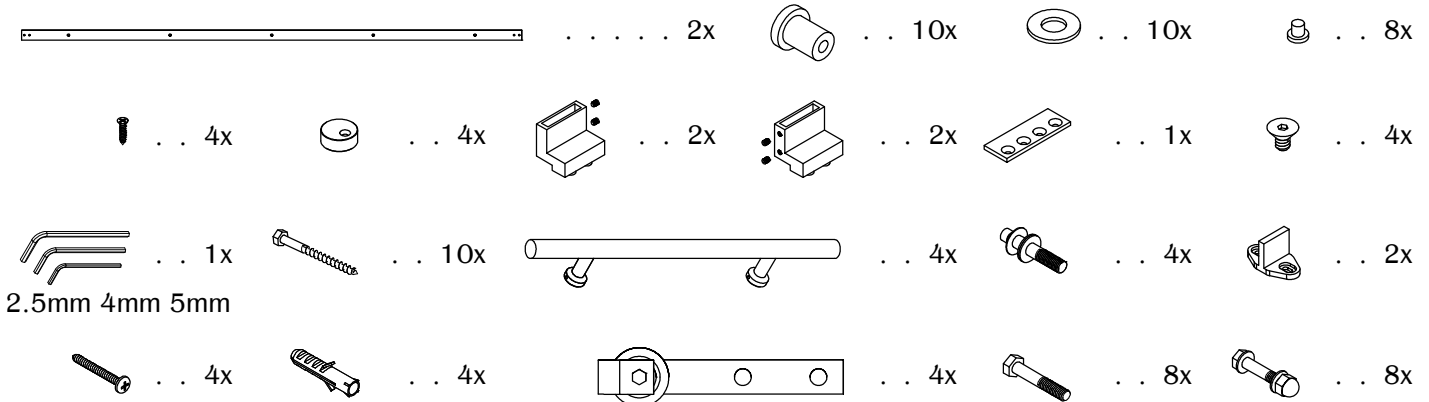
310.318.2491 • 800.523.1269 • www.mockett.com

Before starting your installation, please review this installation sheet in its entirety.

Many measurements are dependent on your type of installation. We suggest you fully unpack your hardware and lay out your assembly before you start drilling or cutting.

Note that the hardware included can be applied with left or right orientation to slide in either direction. For double door openings, your wall-mounted hardware should extend out beyond the door frame equally on both sides as shown below.

PARTS INCLUDED:



NOTE: two person minimum required for this installation.

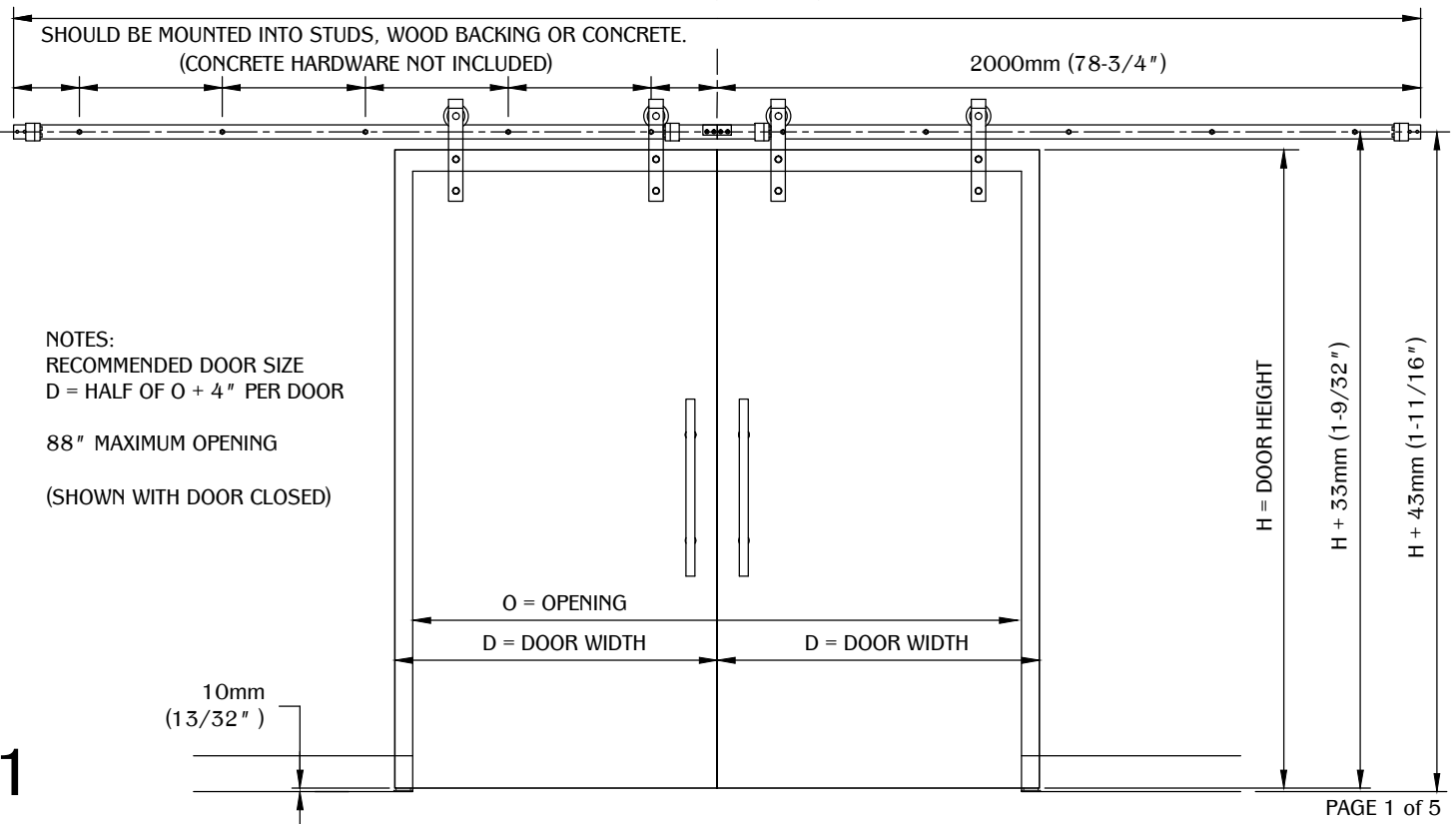
BOLTS FOR 35mm
- 40mm DOOR

BOLTS FOR 40mm
- 45mm DOOR

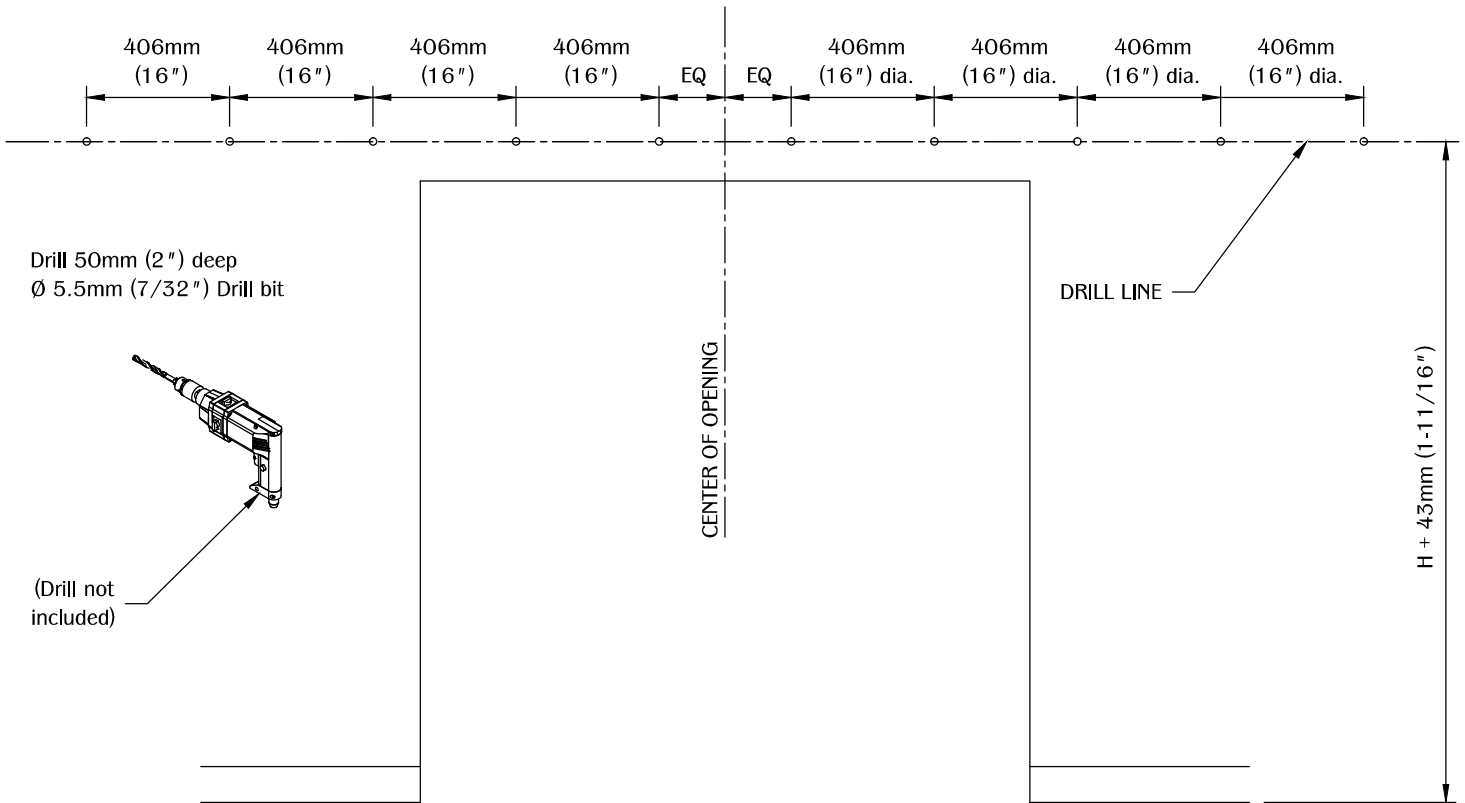
TOOLS NEEDED:

- 10mm (13/32") dia. DRILLBIT
- SCREWDRIVER (PHILLIPS)
- TAPE MEASURE
- PENCIL
- DRILL
- 10mm (13/32") dia. SPADE BIT
- 5.5mm (7/32") dia. DRILLBIT
- LEVEL GUIDE
- WRENCH

(SEE PAGE 2 PART 2 FOR DIMENSIONS) 4000mm (157-1/2")



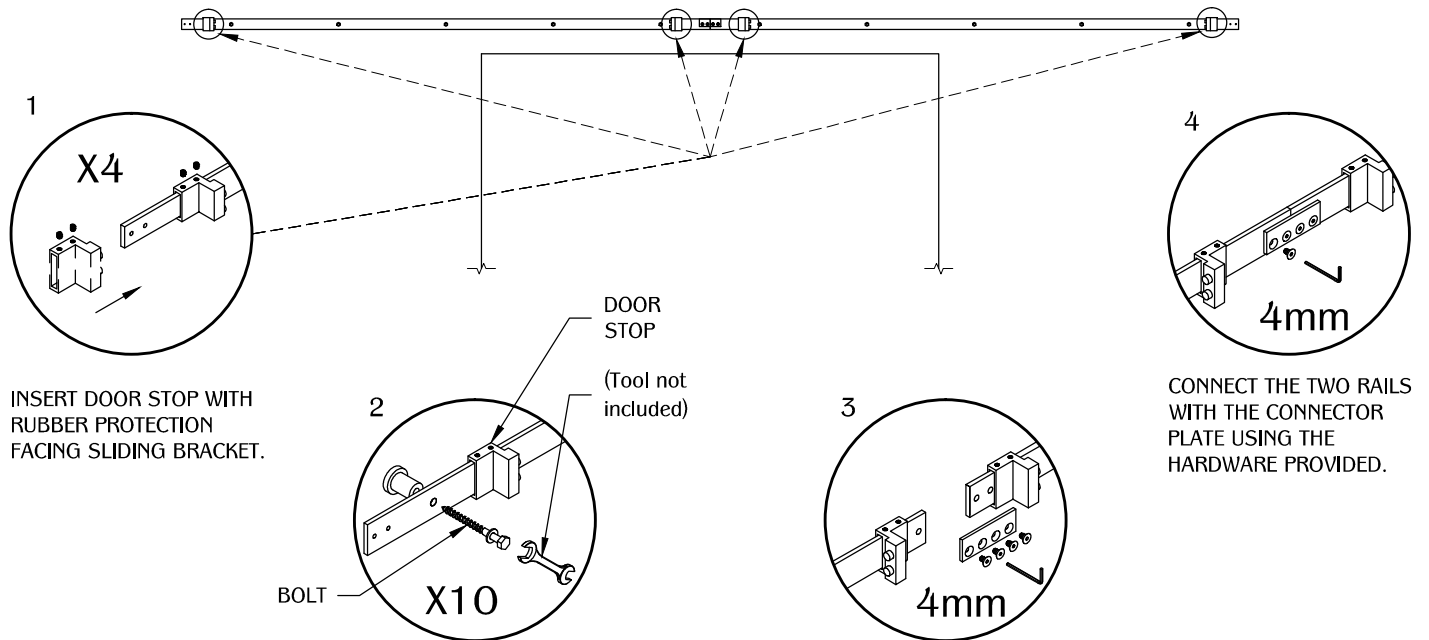
2 DRILL MOUNTING HOLES



NOTE:
BEFORE DRILLING MAKE SURE FLOOR IS LEVELED TO ENSURE THAT THE DOOR WILL BE ABLE TO SLIDE FREELY FROM SIDE TO SIDE.

IN CASE FLOOR IS UNEVEN FIND THE HIGHEST POINT AND MEASURE FROM THERE TO THE HEIGHT OF THE DRILL LINE.

3 INSTALL DOOR STOPS & RAILS



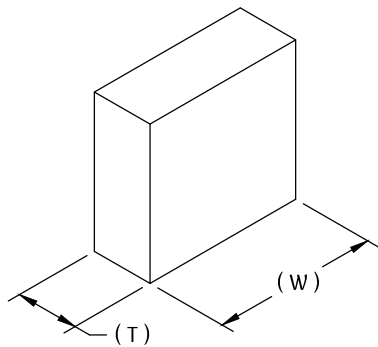
INSERT DOOR STOP WITH RUBBER PROTECTION FACING SLIDING BRACKET.

MAKE SURE TO INSERT DOOR STOPS BEFORE OR AFTER INSERTING THE BOLT, DEPENDING ON YOUR DOOR'S TRAVEL DISTANCE.

INSERT DOOR STOPS FROM THE CENTER BEFORE ASSEMBLING THE RAILS.

CONNECT THE TWO RAILS WITH THE CONNECTOR PLATE USING THE HARDWARE PROVIDED.

4 PREPARING THE DOOR

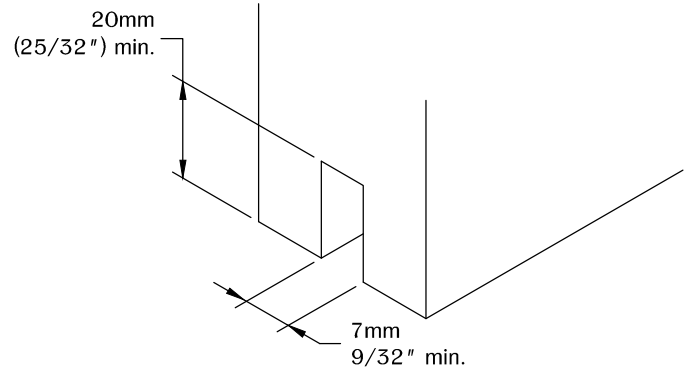


For the SDH3, use a door with the following dimensions:

Width : * min. 48" max.
 Height : * min. * max.
 Thickness : 1-3/8" min. 1-3/4" max.
 Weight : 220 lbs. max.

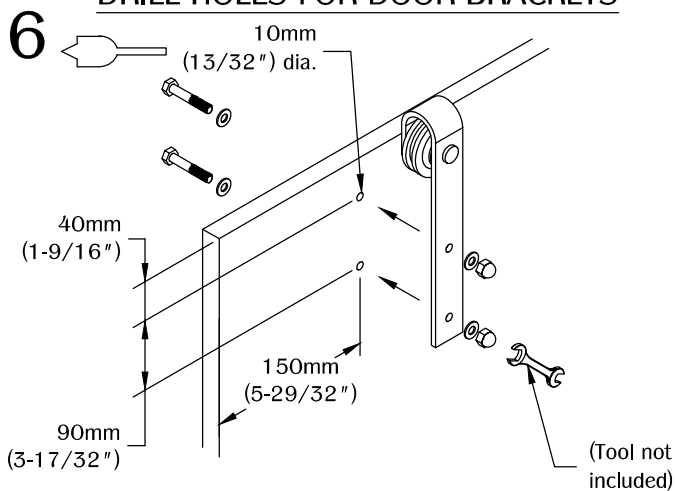
* DEPENDING ON OPENING.

5 ROUTING OUT THE DOOR

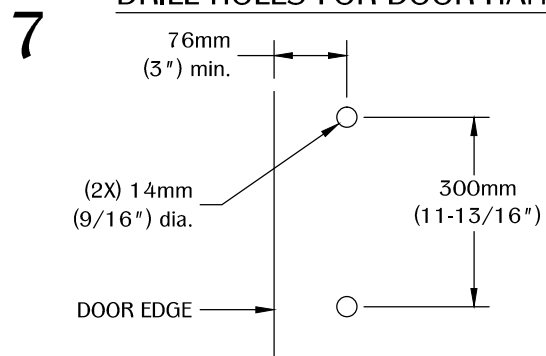


Rout out a slot on the under side of the door for the door guide. You can either rout it all the way or stop short on either side for a less visible installation.

DRILL HOLES FOR DOOR BRACKETS

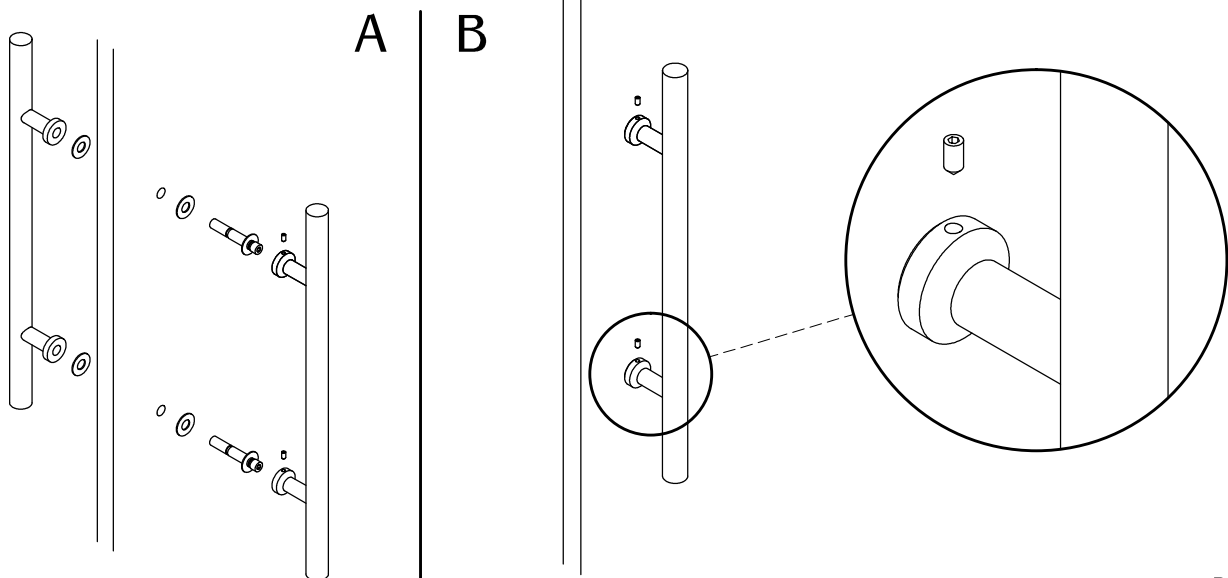


DRILL HOLES FOR DOOR HANDLES

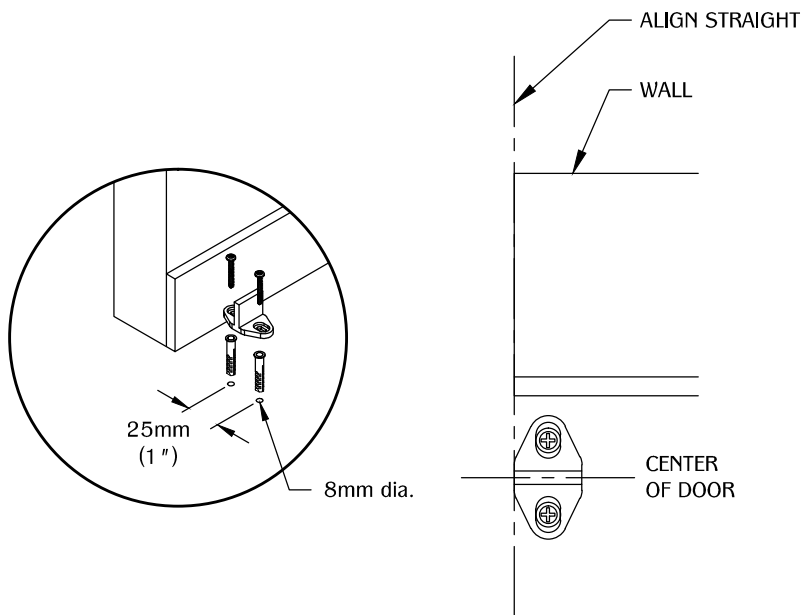


Note this drawing is for the door on the right hand side. Repeat steps in reverse on the left door.

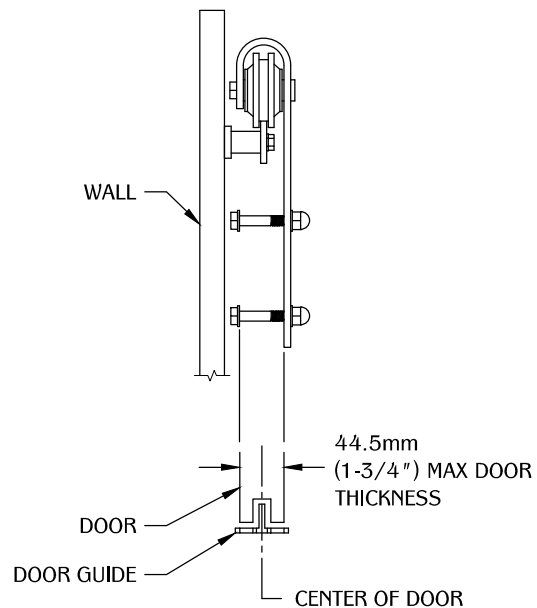
8 INSTALL DOOR HANDLES



9 INSTALL DOOR GUIDE



TOP VIEW

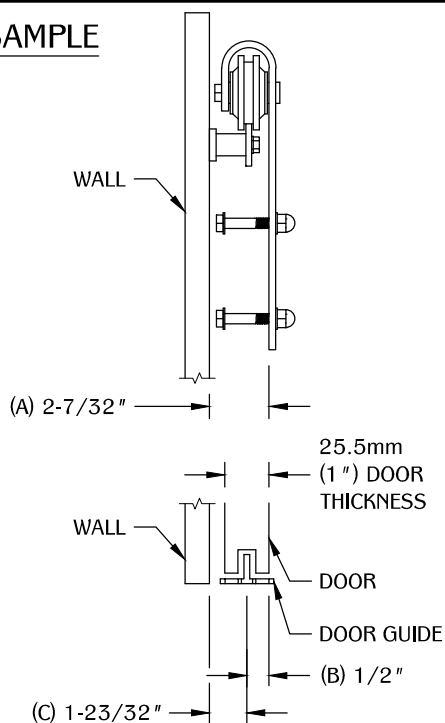


SIDE VIEW

Determine the center of the door guide depending on your door thickness. See sample below for instructions.

Install door guide on the floor. Position accordingly so door is always engaged with the bracket while sliding in either direction.

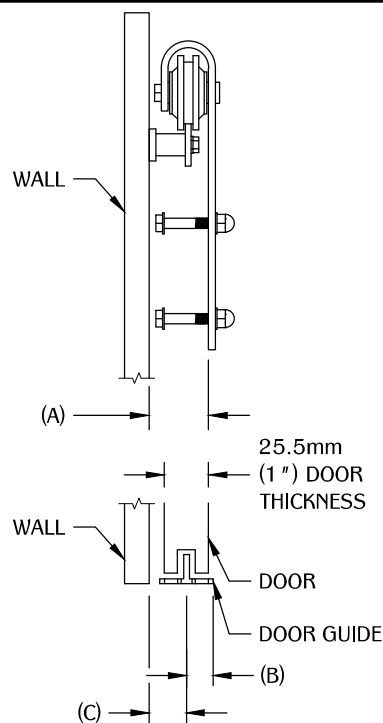
SAMPLE



FORMULA: (A) 2-7/32" - (B) 1/2" = (C) 1-23/32"

This sample is made using a 1" thick door for reference. NOTE our dimensions may vary depending on your own door thickness. use the formula provided noting the following:

- A) Distance from wall to front of door
- B) Half the distance of the door guide
- C) Distance from wall to center of door



FORMULA: A - B = C

Once you have determined your center of your own door, use the formula to determine the distance from the wall to the center of your door guide and mount the floor, making sure the door glides smoothly over it.

10 HANG THE ASSEMBLED DOOR

