

PART #

**SDH2**

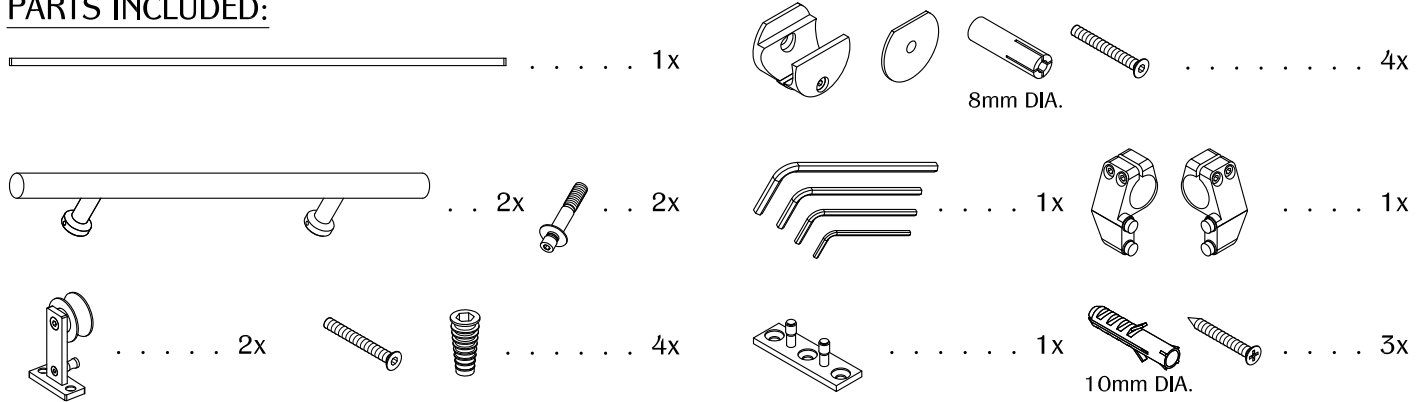
310.318.2491 • 800.523.1269 • www.mockett.com

Before starting your installation, please review this installation sheet in its entirety.

Many measurements are dependent on your type of installation. We suggest you fully unpack your hardware and lay out your assembly before you start drilling or cutting.

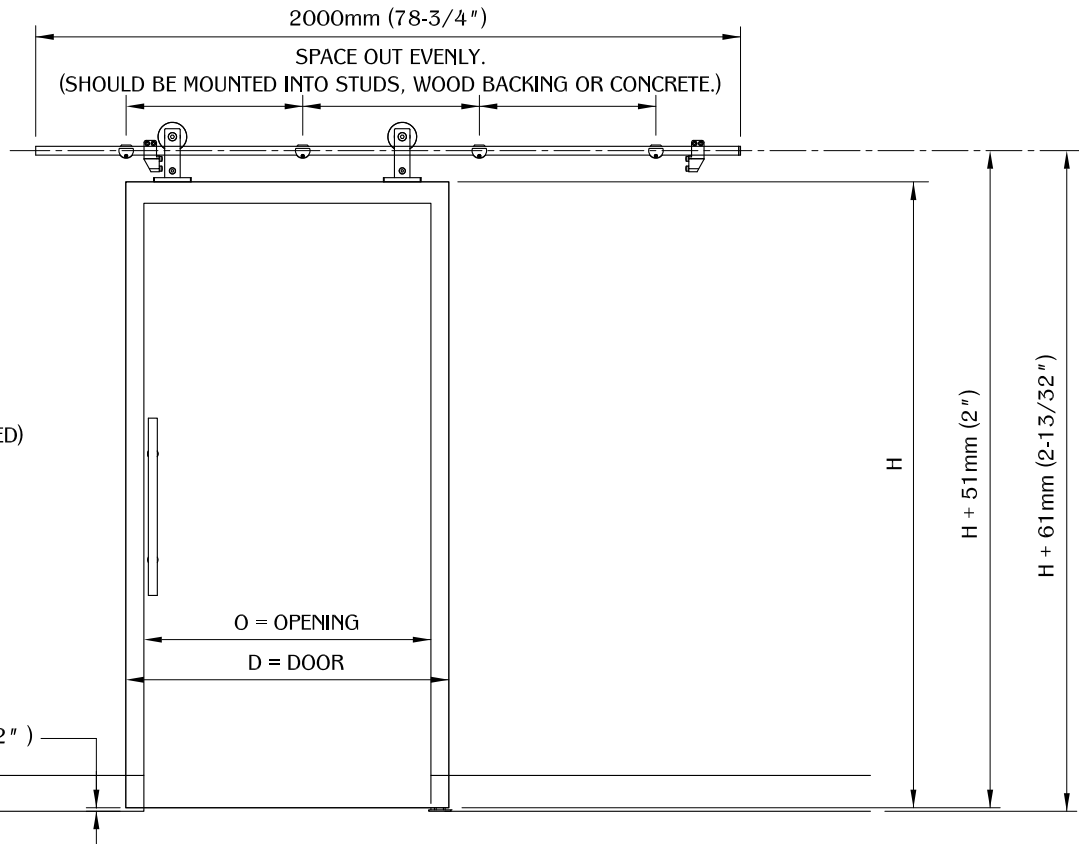
Note that the hardware included can be applied with left or right orientation to slide in either direction. Determine which direction the door will open, then apply the door hardware accordingly on either the left or right side of the door and install the wall-mounted hardware to extend out beyond the door frame in the direction that the door will be opening.

**PARTS INCLUDED:**



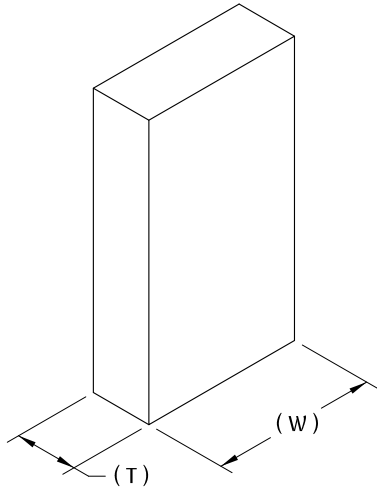
**TOOLS NEEDED:**

- TAPE MEASURE
- DRILL
- PENCIL
- 8mm DIA. DRILLBIT
- SCREWDRIVER (PHILLIPS)
- LEVEL GUIDE
- 10mm DIA. DRILLBIT
- 9mm DIA. DRILLBIT



NOTES:  
 RECOMMENDED DOOR SIZE  
 $D = O + 4$   
 44" MAXIMUM OPENING  
 (SHOWN WITH DOOR CLOSED)

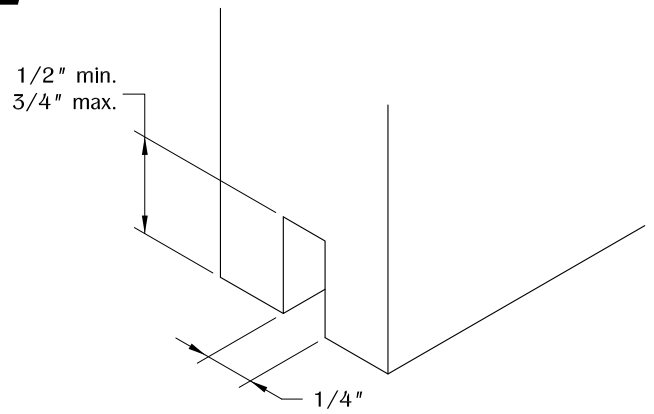
# 1 PREPARING THE DOOR



For the SDH2, use a door with the following dimensions:

Width : 30" min. 44" max.  
 Thickness : 1-1/4" min. 1-1/2" max.  
 Weight : 150 lbs max.

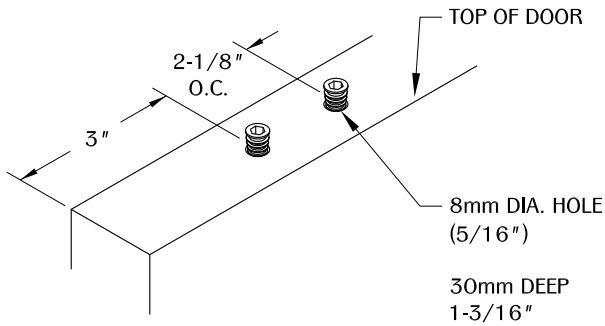
# 2 ROUTING OUT THE DOOR



Rout out a slot on the under side of the door for the door guide. You can either rout it all the way or stop short on either side for a less visible installation.

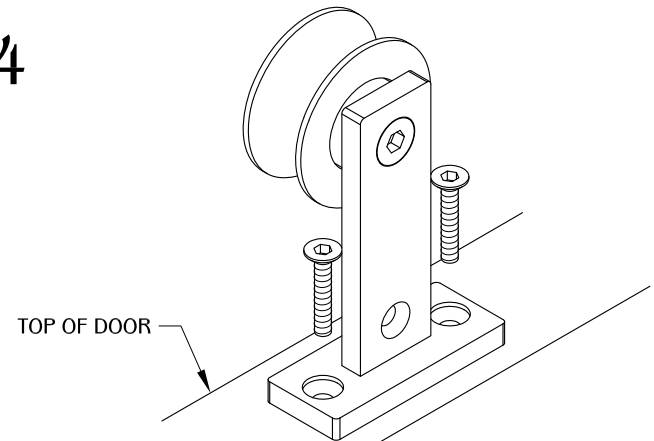
for SDH-GUIDE/BRKT  
 please see attached installation sheet

# 3 DRILL HOLES FOR BRACKETS



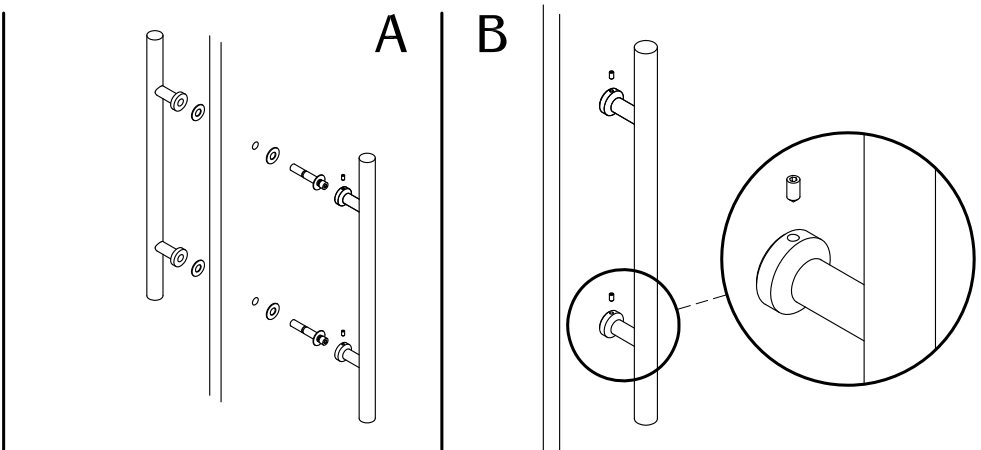
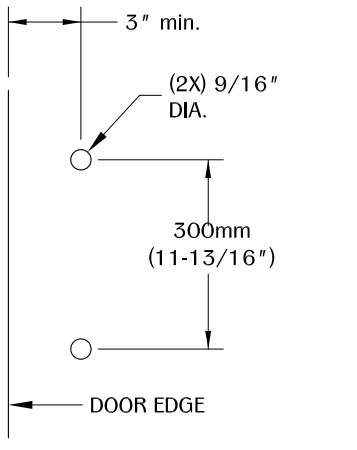
Brackets to be mounted at least 16" apart while remaining at least 3" in from the edge of the door on either side.

# 4



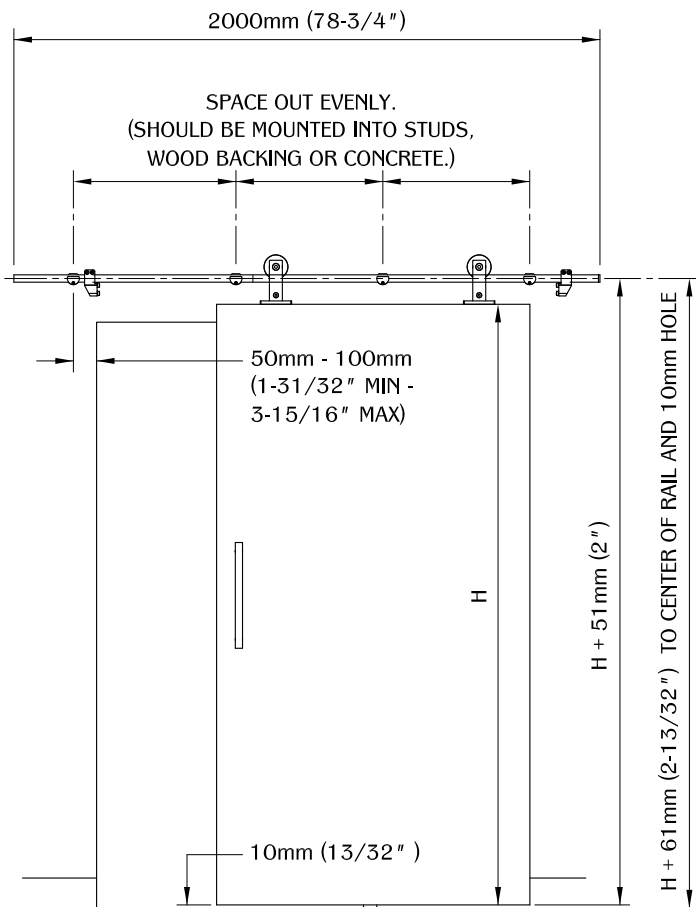
## MOUNT BRACKETS

# 5 DRILL HOLES FOR DOOR HANDLES AND INSTALL DOOR HANDLES



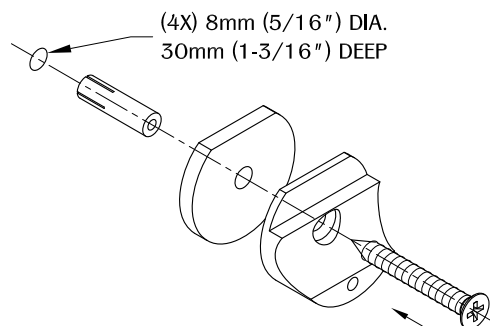
Decide if door slides left or right and install door handle accordingly.

## 6 INSTALLATION OF RAIL BAR

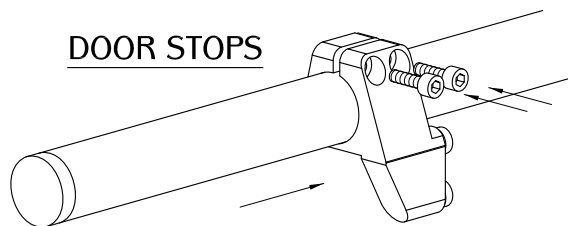


Lay out your bar accordingly and drill the holes for the rail. Rail brackets must be installed into studs, wood backing or concrete. Do not install rail brackets into dry wall only!

## 7 INSTALL FIRST HALF OF BRACKET

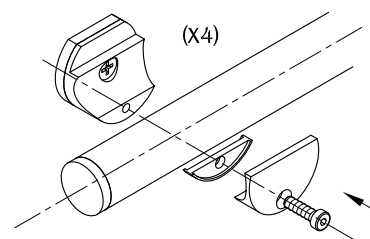


## 8 DOOR STOPS



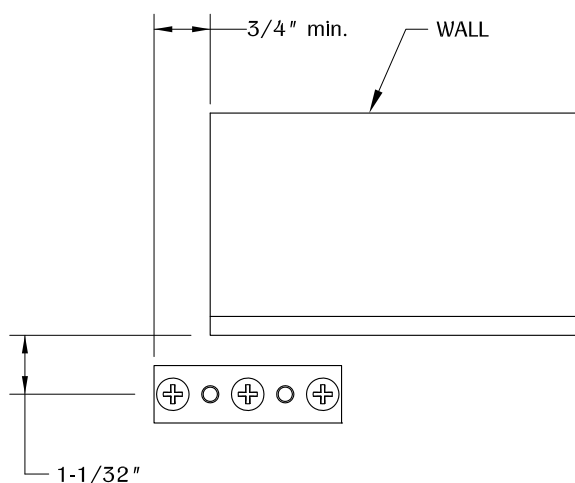
Before you hang the rail, determine the position of the door stops. You will want to make sure the door can fully open and close.  
**DO NOT TIGHTEN YET!**

## 9

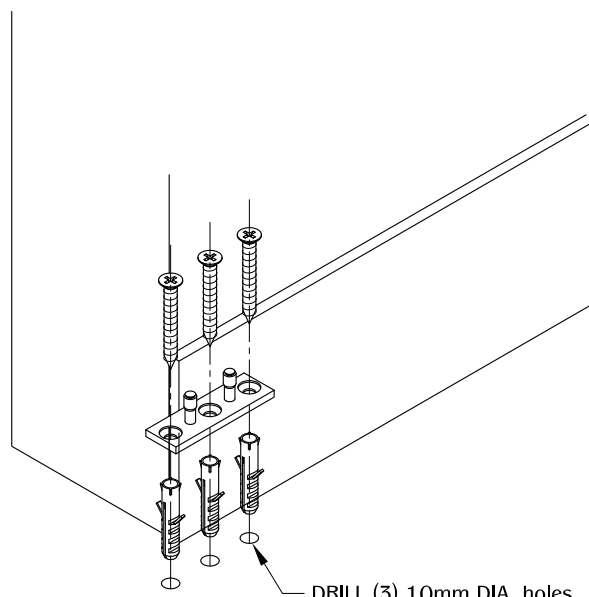


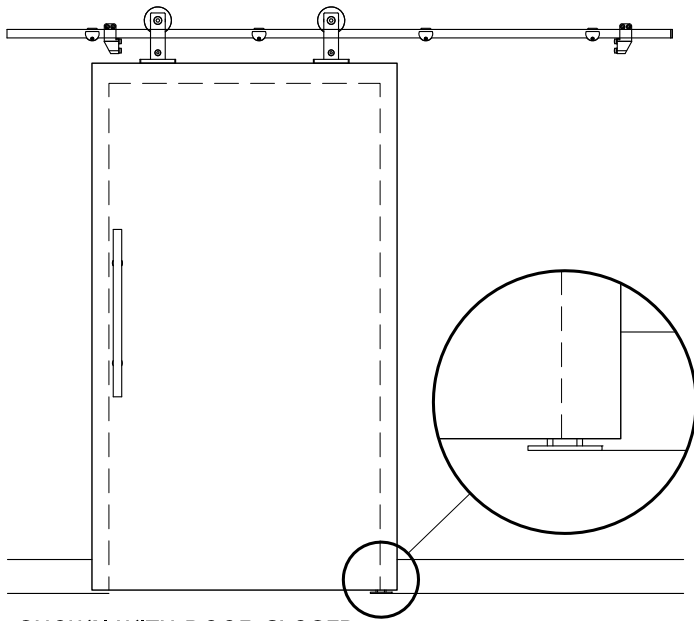
**HANG / MOUNT RAIL**

## 10 INSTALL DOOR GUIDE

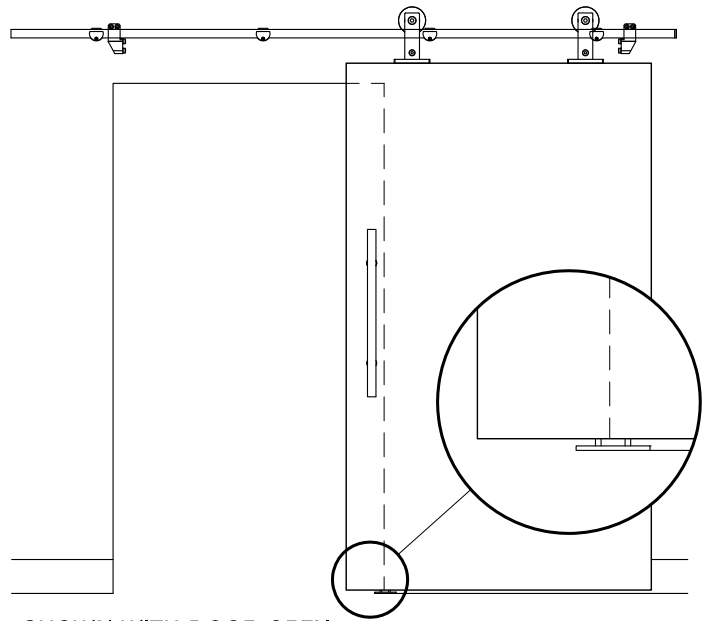


Install door guide on the floor. Position accordingly so door is always engaged with the bracket while sliding in either direction.



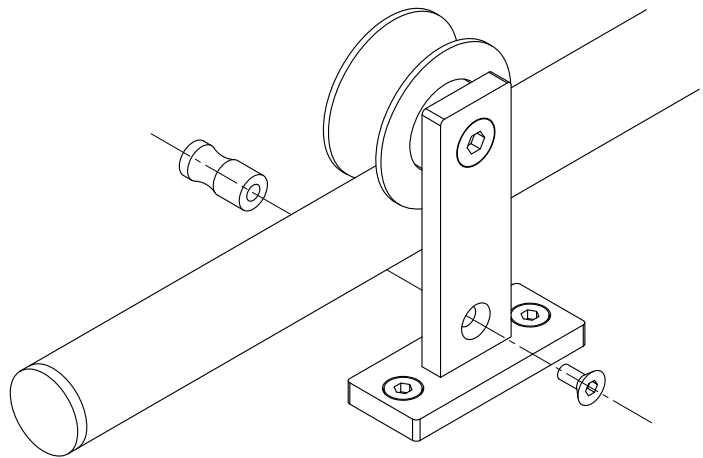
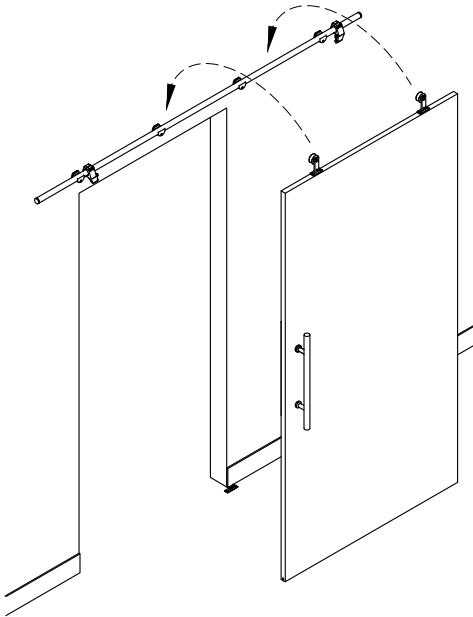


SHOWN WITH DOOR CLOSED



SHOWN WITH DOOR OPEN

## 11 HANG THE ASSEMBLED DOOR



SECURE BRACKET ONTO RAIL

## 12 TIGHTEN DOOR STOP SCREWS

