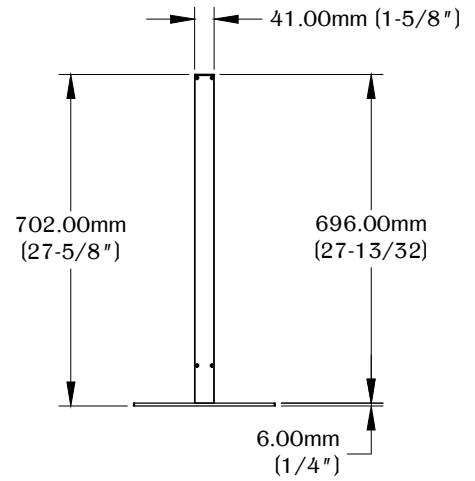
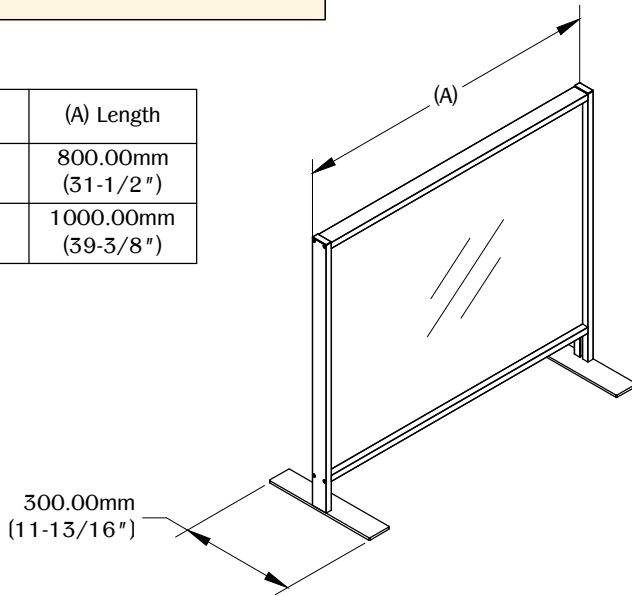


PART #

PSCR9

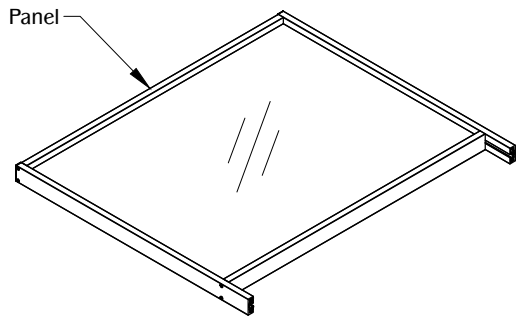
310.318.2491 • 800.523.1269 • www.mockett.com

	(A) Length
PSCR9A	800.00mm (31-1/2")
PSCR9B	1000.00mm (39-3/8")



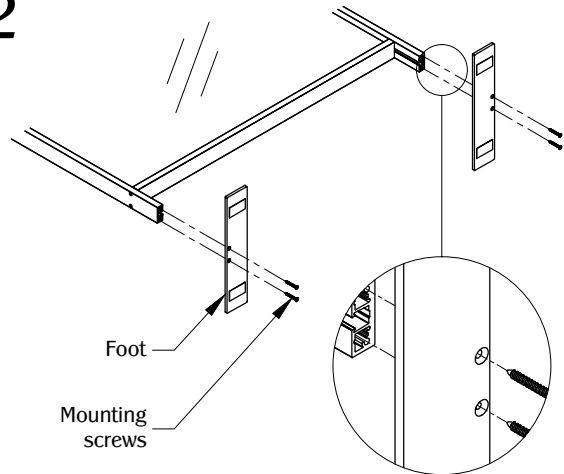
RIGHT VIEW

1



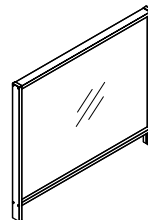
Lay the panel down on an even and secure work surface.

2

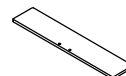


Secure the (2) feet by using (4) self tapping mounting screws at the bottom of the panel.

TABLE OF CONTENTS:



.....1X PSCR9 Panel



.....2X Foot



.....4X 1-1/4"
Self-tapping mounting screws