

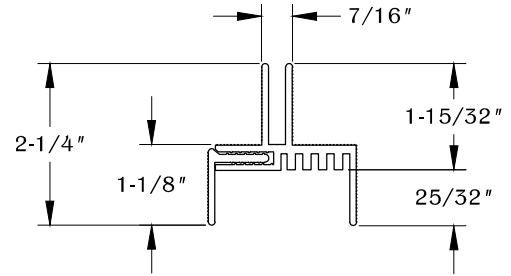
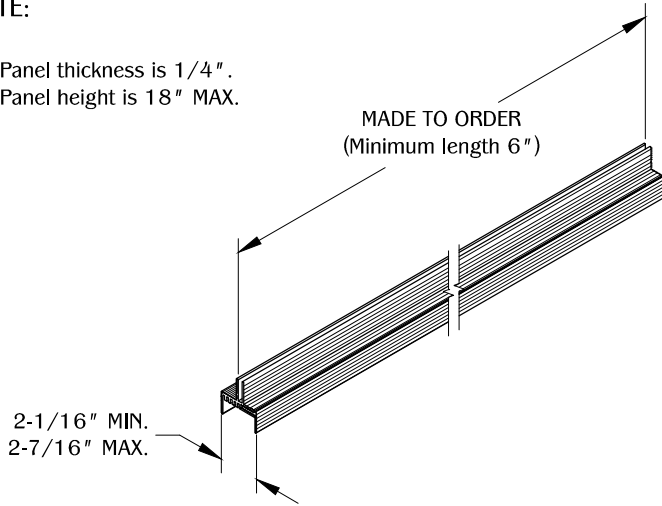
PART #

PSCR6/EXT

310.318.2491 • 800.523.1269 • www.mockett.com

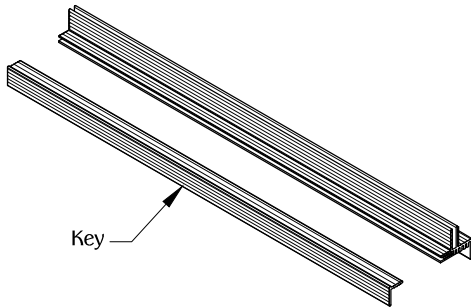
NOTE:

- Panel thickness is 1/4".
- Panel height is 18" MAX.



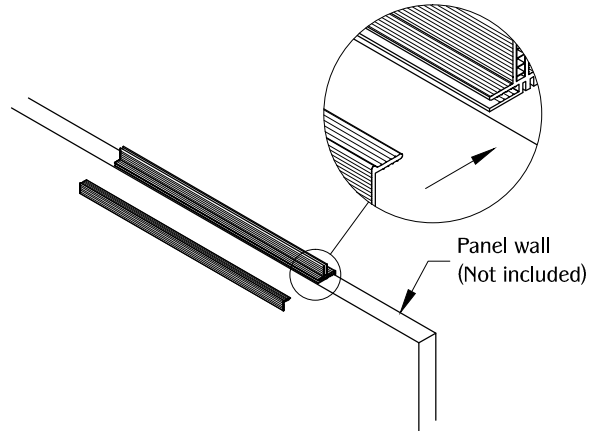
RIGHT VIEW

1



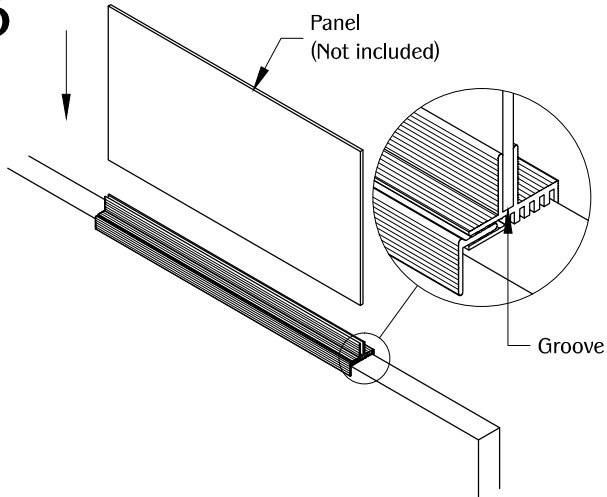
Detach the PSCR6 key from the PSCR6-EXT.

2



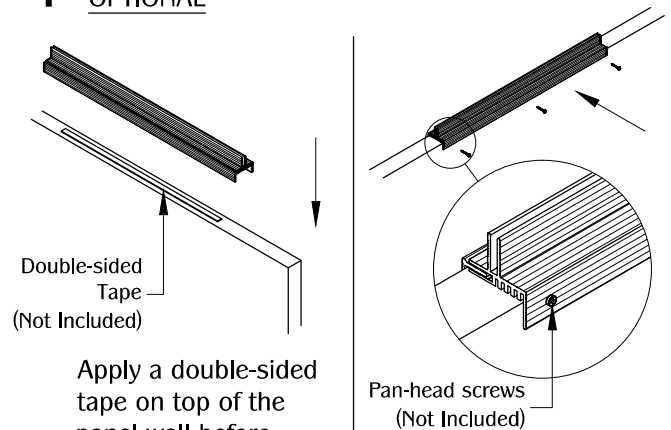
Place the part on top of the panel wall. Secure the part with the key.

3



Install the panel in between the groove.

4 OPTIONAL



Apply a double-sided tape on top of the panel wall before placing the part for additional stability.

Use pan-head screws for additional stability.