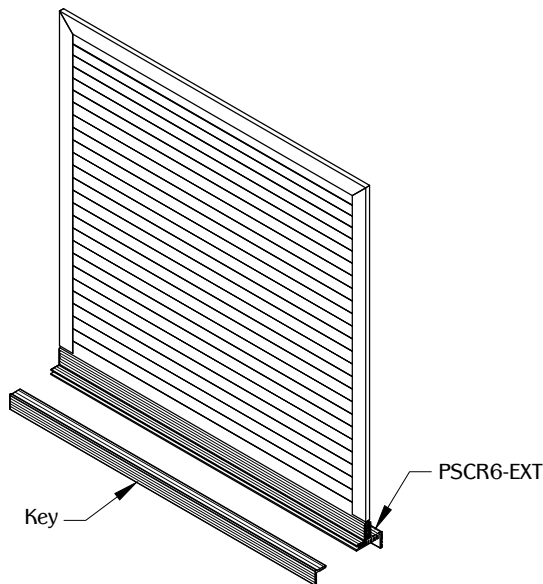


	(A) Length
PSCR6/2X2	24"
PSCR6/2X4	48"
PSCR6/2X6	72"

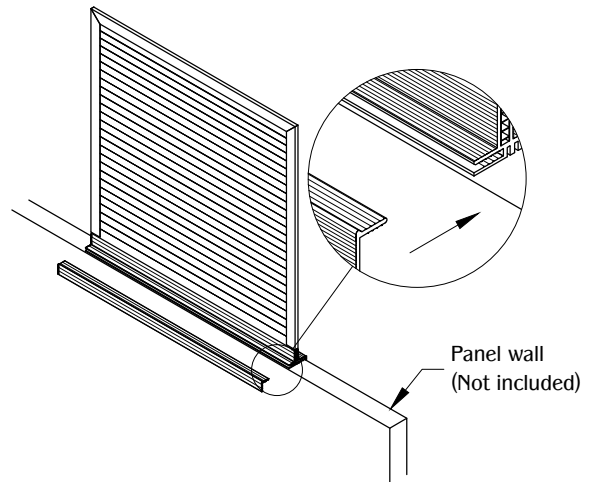
RIGHT VIEW

1



Detach the PSCR6 key from the PSCR6-EXT.

2



Place the part on top of the panel wall. Secure the part with the key.

Clean and Care Instructions

1. Rinse polycarbonate screen with lukewarm water.
2. Wash polycarbonate screen with mild soap and water.
3. Use a soft cloth or sponge and gently wash with an up and down motion in the same direction as the flutes.
4. Repeat rinse and dry with a soft cloth to prevent water spotting.

Note: **DO NOT** scrub, use brushes, or squeegees. The UV coating can become damaged. Also avoid using Lysol, Formula 409, Pinesol, and other harsh solvents. For best results, use Windex with Ammonia, Palmolive Liquid, or Joy.