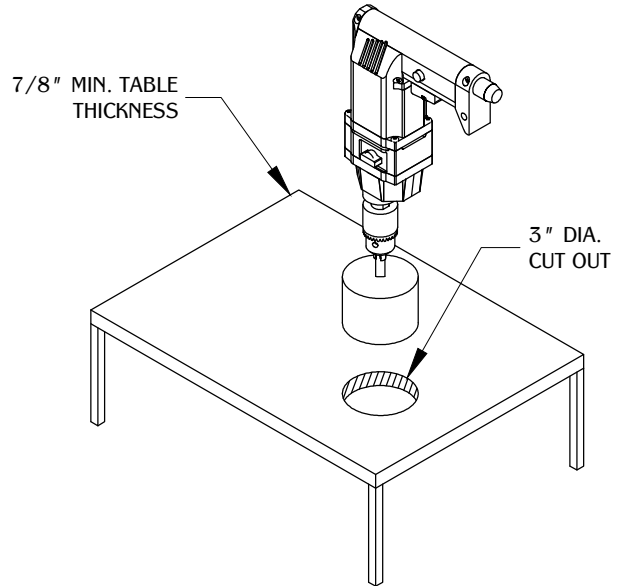


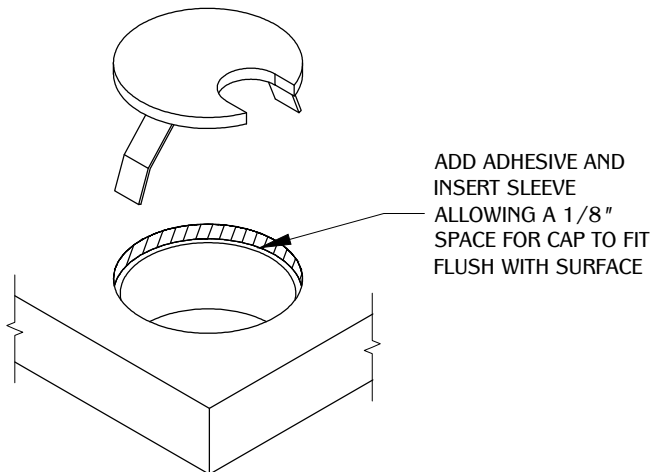
FRONT VIEW

1

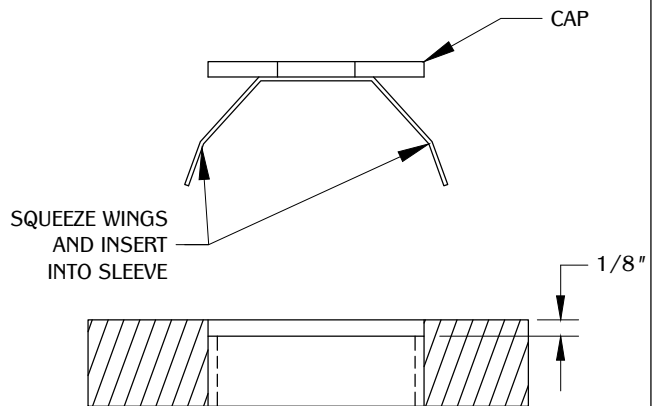


Make a cut out on the desired surface. (Note: We do not recommend cutting before receiving part or part sample.)

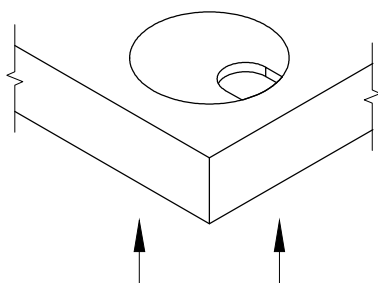
2



3

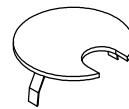


4



NOTE: IN ORDER TO REMOVE STEEL CAP YOU WOULD NEED TO PUSH FROM THE BOTTOM UP.

TABLE OF CONTENTS:



..... 1X PS-3B CAP



..... 1X PS-3B SLEEVE