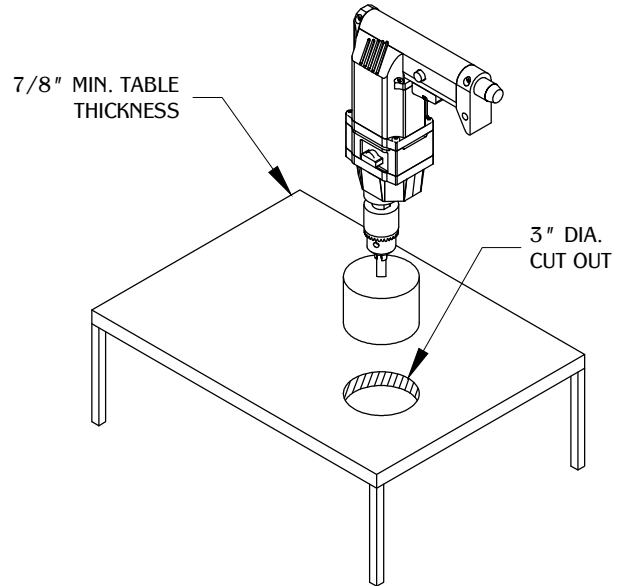


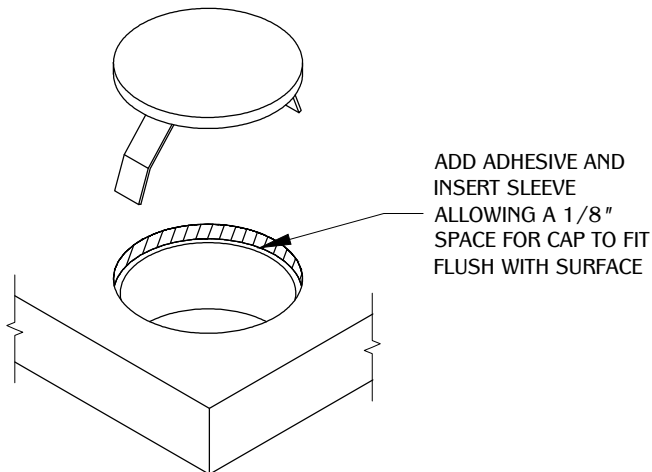
FRONT VIEW

1

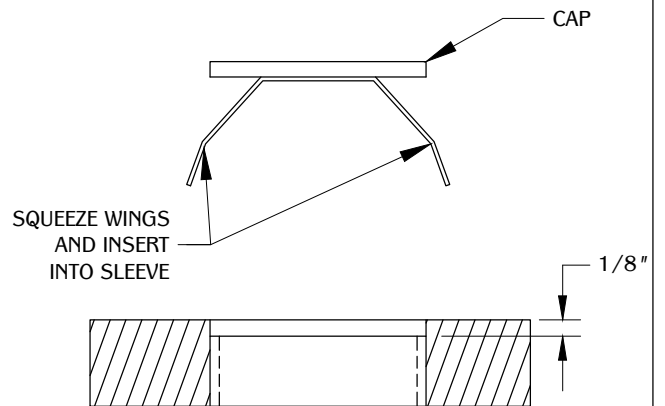


Make a cut out on the desired surface. (Note: We do not recommend cutting before receiving part or part sample.)

2



3



4

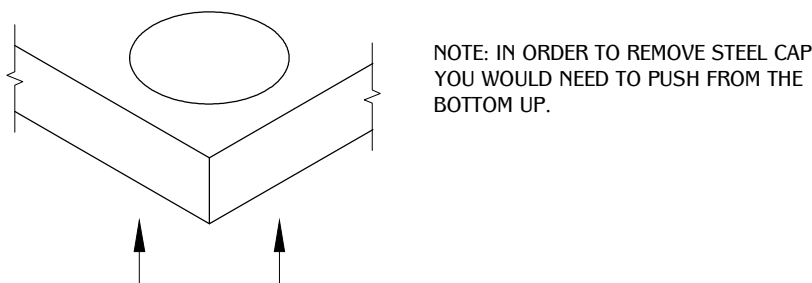
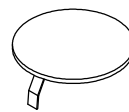
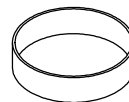


TABLE OF CONTENTS:



..... 1X PS-3A CAP



..... 1X PS-3A SLEEVE