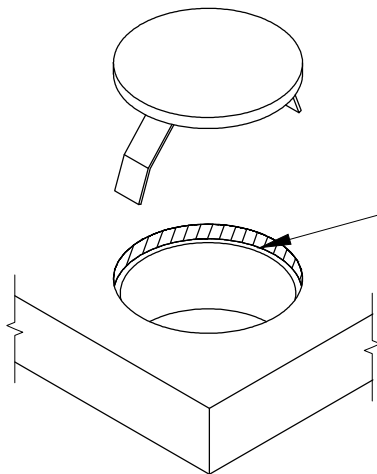


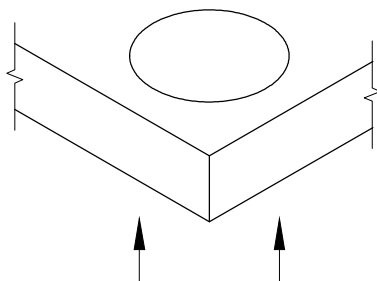
FRONT VIEW

2



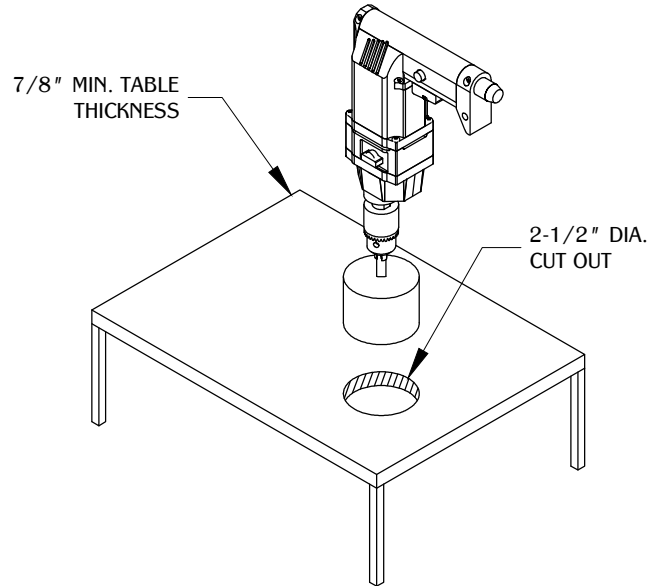
ADD ADHESIVE AND INSERT SLEEVE ALLOWING A 1/8" SPACE FOR CAP TO FIT FLUSH WITH SURFACE

4



NOTE: IN ORDER TO REMOVE STEEL CAP YOU WOULD NEED TO PUSH FROM THE BOTTOM UP.

1



Make a cut out on the desired surface. (Note: We do not recommend cutting before receiving part or part sample.)

3

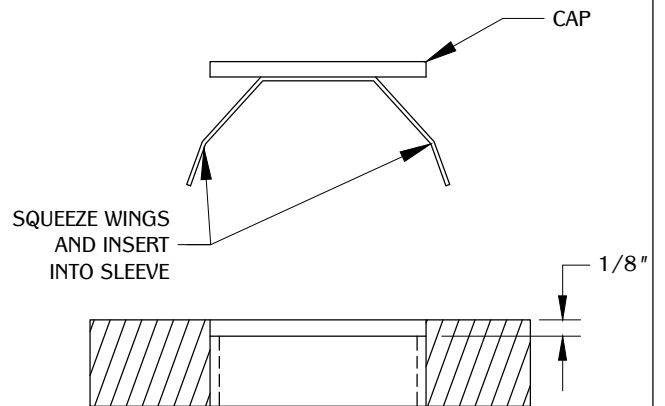
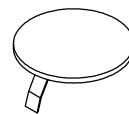
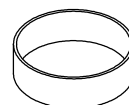


TABLE OF CONTENTS:



..... 1X PS-2A CAP



..... 1X PS-2A SLEEVE