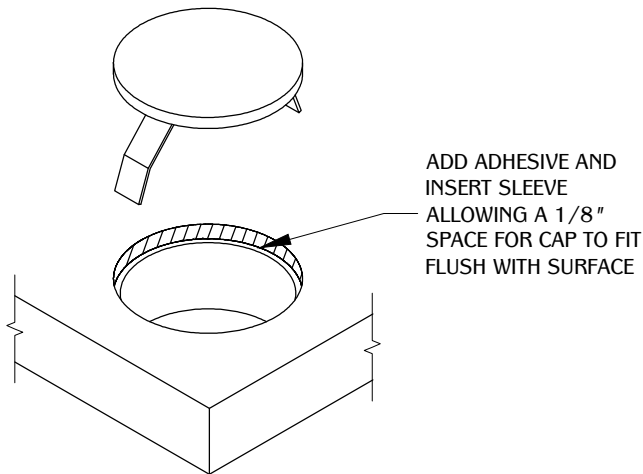
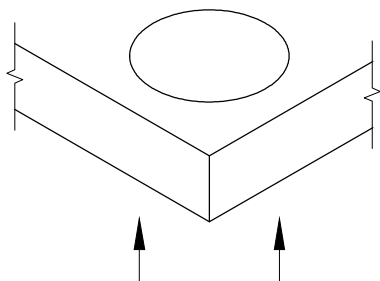


FRONT VIEW

2

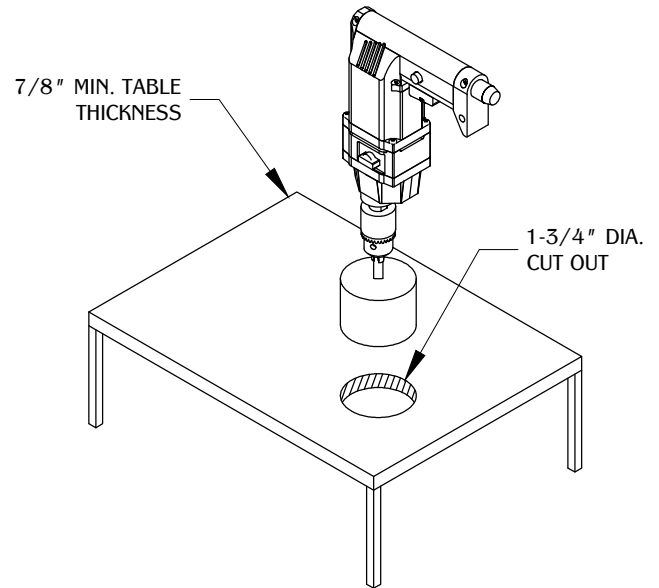


4



NOTE: IN ORDER TO REMOVE STEEL CAP YOU WOULD NEED TO PUSH FROM THE BOTTOM UP.

1



Make a cut out on the desired surface. (Note: We do not recommend cutting before receiving part or part sample.)

3

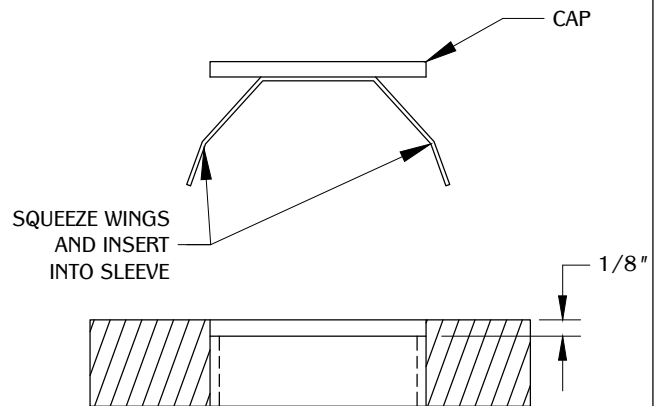
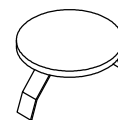
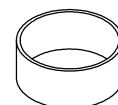


TABLE OF CONTENTS:



..... 1X PS-1A CAP



..... 1X PS-1A SLEEVE