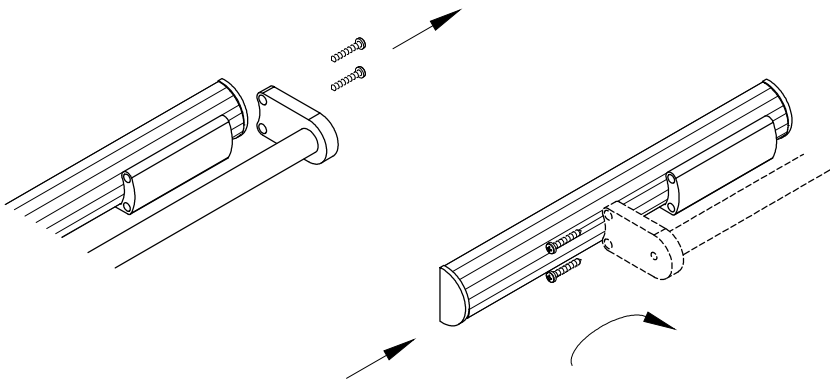
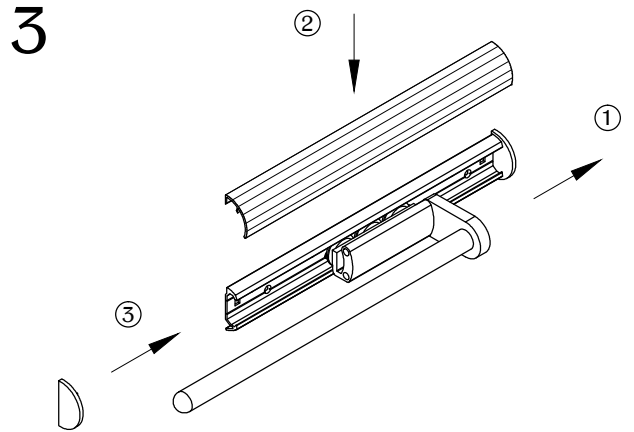
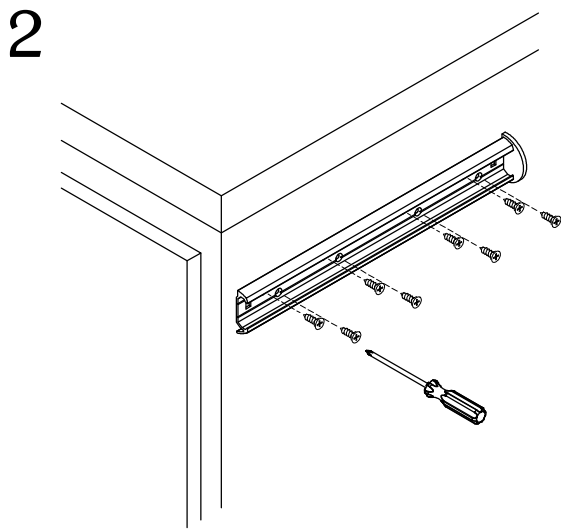
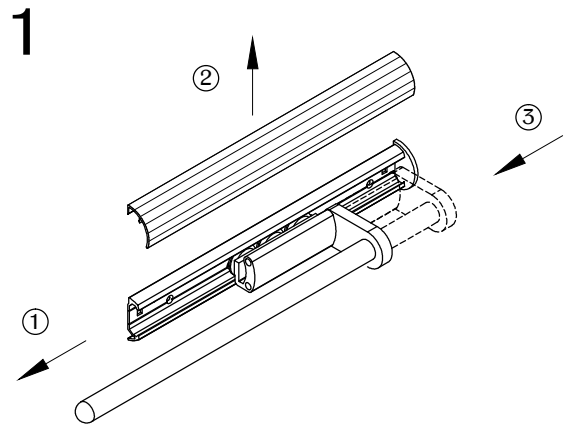
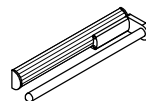


Insert screw driver to push out locking tab.



For right side installation remove screws flip over the towel rack and reinsert screws as shown above.

TABLE OF CONTENTS:



..... 1x POS/TWL1A



..... 8x WOOD SCREW