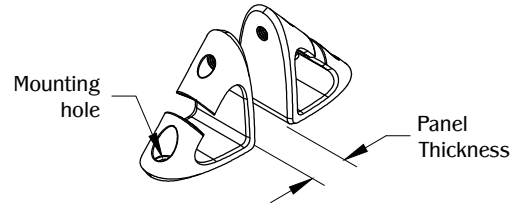
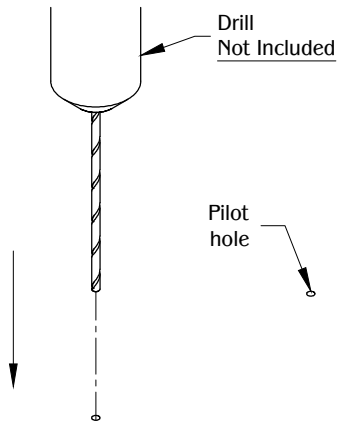


1



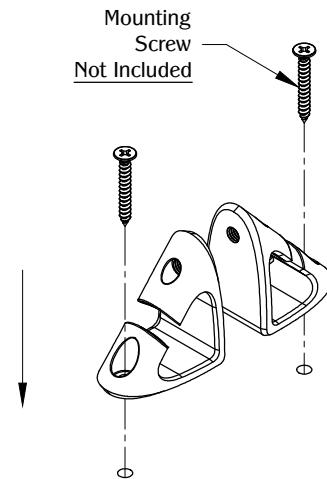
Determine the position and location of the PGRP9 on the work surface. Mark the mounting holes with a pencil. (Note: We do not recommend drilling or cutting any holes before receiving a product or a product sample.)

2



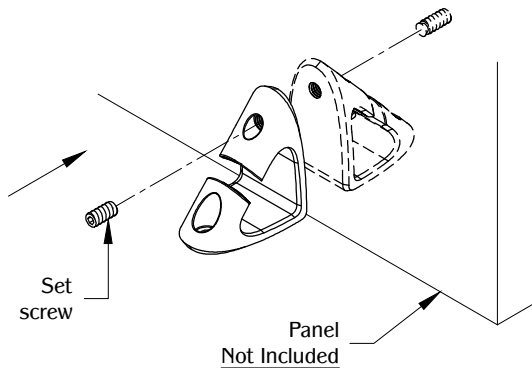
Drill (2) pilot holes to mount on the work surface.

3



Align the PGRP9 to the pilot holes. Use (2) mounting screws and secure the part on top of the work surface.

4



Place the panel material in between the PGRP9. Secure the panel with (2) set screws. (Note: 18" recommended maximum panel height.)

TABLE OF CONTENTS:



.....2 X PGRP9



.....2 X Set screw