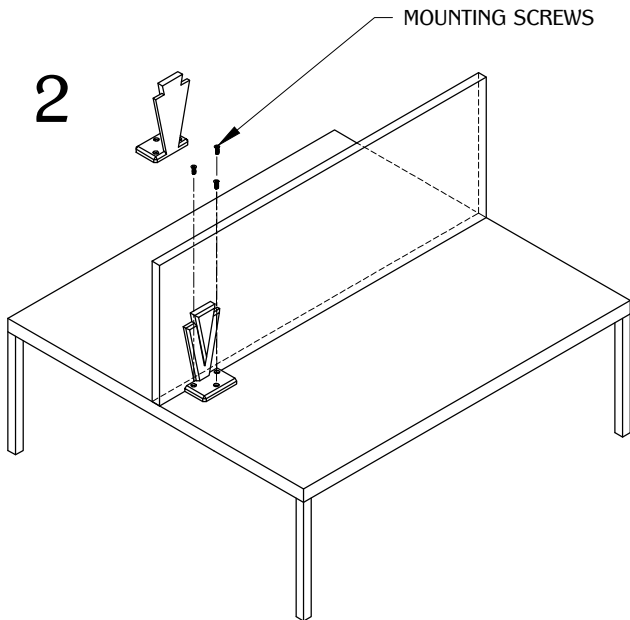
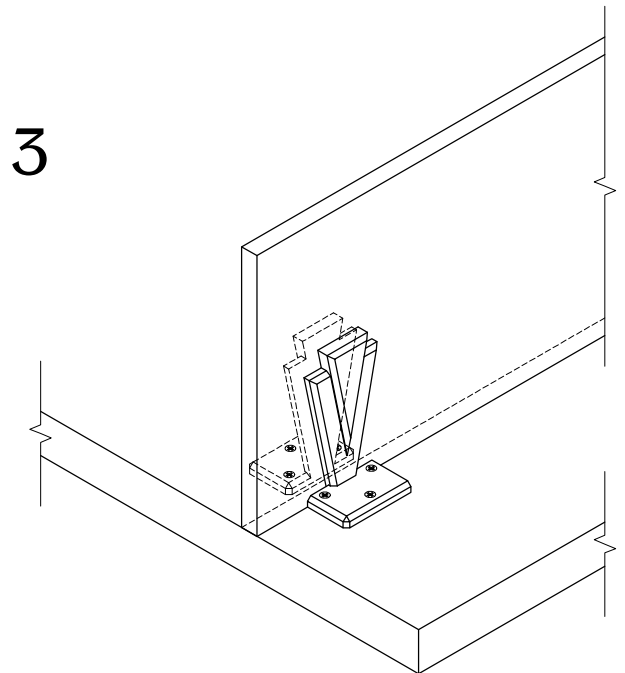


DETERMINE THE LOCATION OF THE PANEL ON THE TABLE ( BOTH TABLE AND PANEL ARE NOT INCLUDED)



DETERMINE THE LOCATION OF THE PGRP8



HOLD DOWN THE PGRP8 WITH THE MOUNTING SCREWS

TABLE OF CONTENTS:



..... 1x PGRP8



..... 3x 1" WOOD SCREW