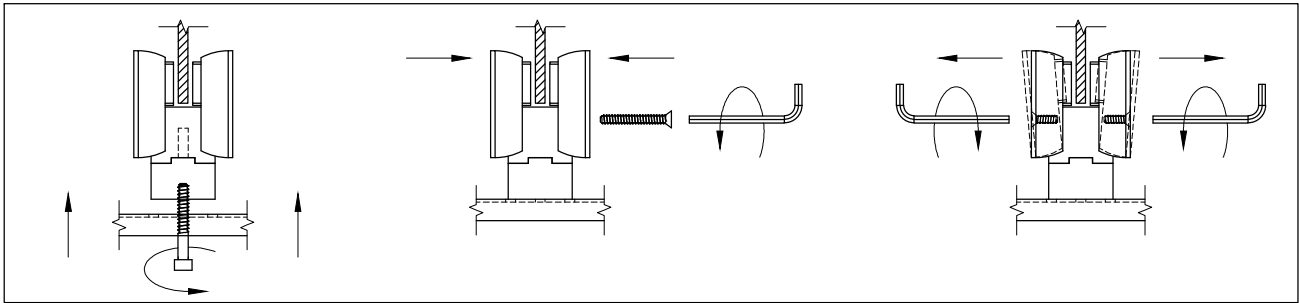
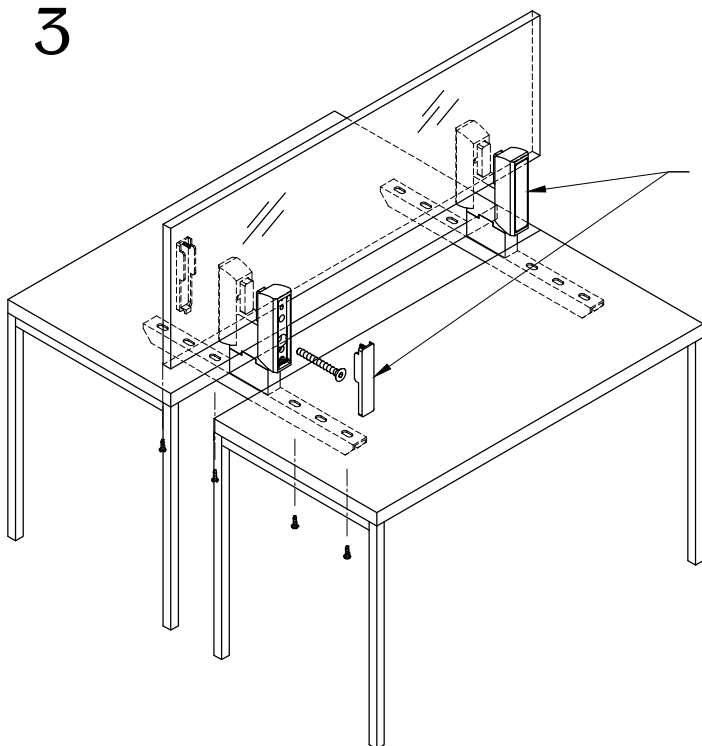


NOTE:

- Panel thickness is 4.00mm (5/32") MIN. to 16.00mm (5/8") MAX. with spacers.
- Panel thickness is 15.00mm (19/32") MIN. to 30.00mm (1 1/8") MAX. without spacers panel thickness.
- 18" MAX. panel height.
- Recommended part spacing is 24" MAX.
- Table thickness is 19.00mm (3/4") MIN. to 30.00mm (1 1/8") MAX.
- Weight capacity is 35 lbs.

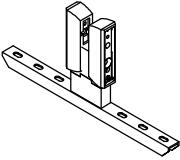






3



Conceal hardware with rear mounted plate insert as shown below.

TABLE OF CONTENTS:

	1X PGRP6B
	4X 5/8" WOOD SCREWS
	1X 50.00mm M6 -1.0 Thread Countersunk Hex screw
	2X PLASTIC INSERT
	2X SPACERS