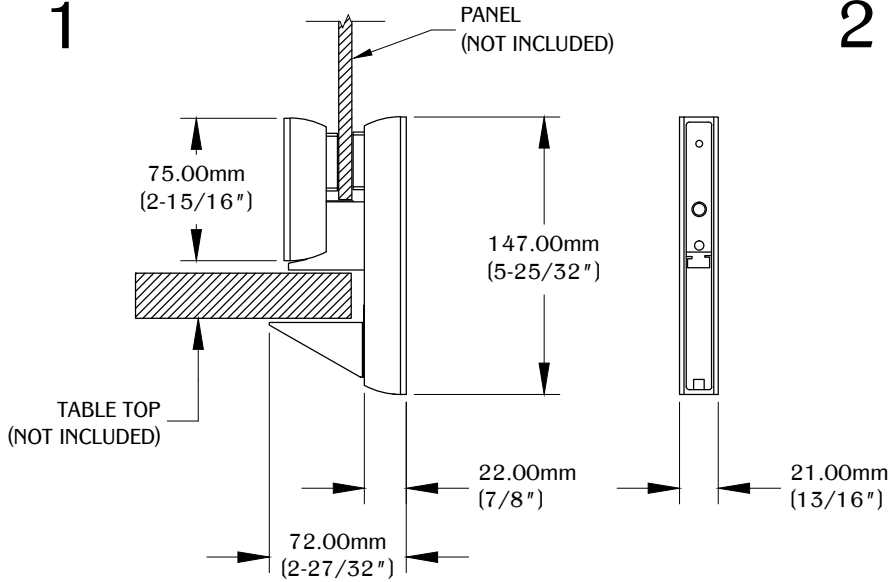
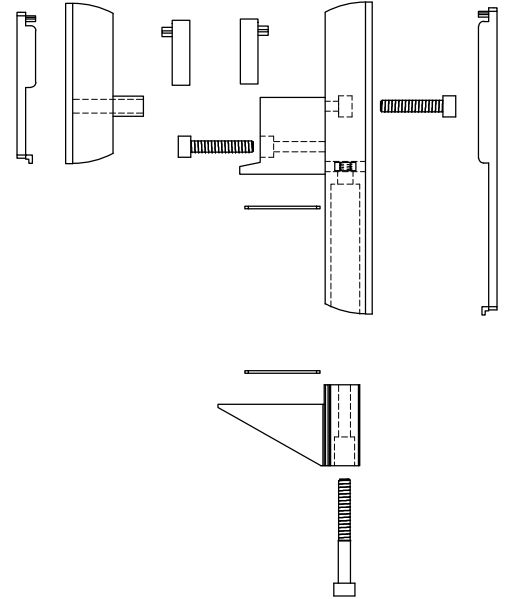


1



2



NOTE:

- Panel thickness is 4.00mm (5/32") MIN. to 18.00mm (23/32") MAX. with spacers.
- Panel thickness is 20.00mm (25/32") MIN. to 30.00mm (1-3/16") MAX. without spacers panel thickness.
- 18" MAX. panel height.
- Recommended part spacing is 24" Max.
- Table thickness is 12.00mm (15/32") MIN. to 30.00mm (1-3/16") MAX. with spacers.
- Table thickness is 14.00mm (9/16") MIN. to 32.00mm (1-1/4") MAX. without spacers.

3

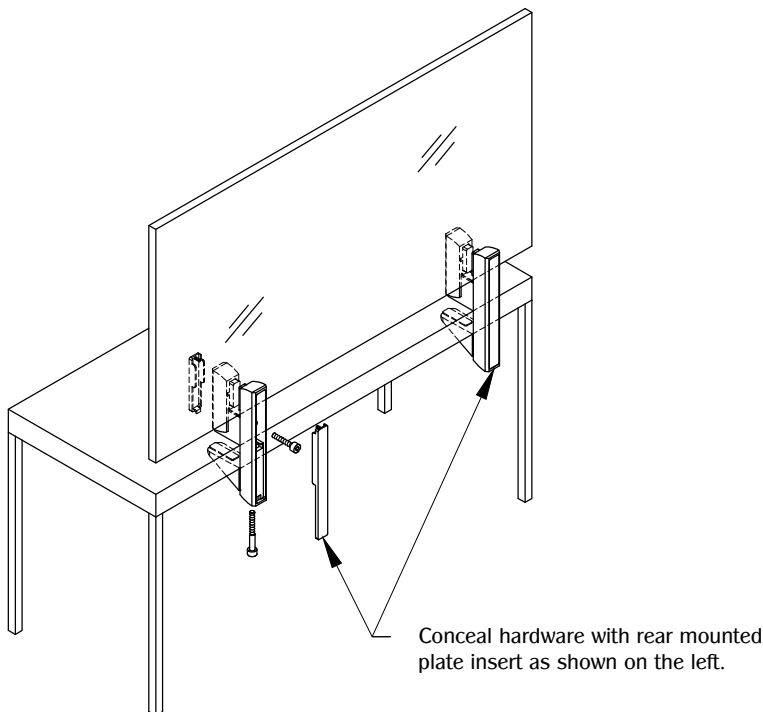
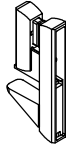








TABLE OF CONTENTS:

	..... 1X PGRP6
	..... 2X 30.00mm M6 -1.0 THREAD SOCKET SCREW
	..... 1X 50.00mm M6 -1.0 THREAD SOCKET SCREW
	..... 1X SMALL PLASTIC INSERT
	..... 1X LARGE PLASTIC INSERT
	..... 2X SPACERS
	..... 2X PADS