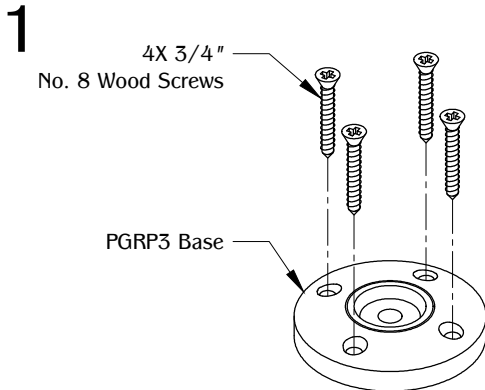


PART #

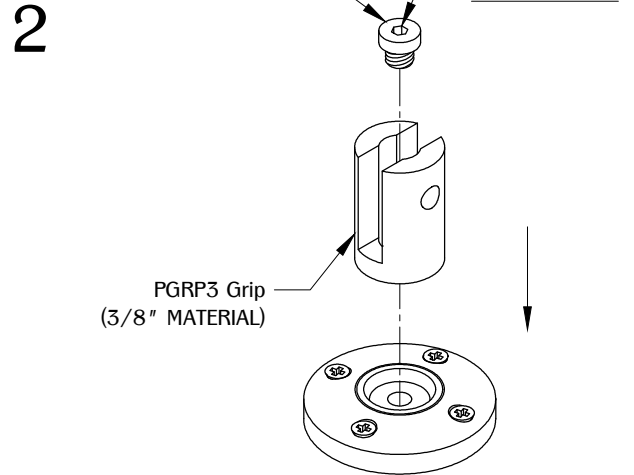
PGRP3

310.318.2491 • 800.523.1269 • www.mockett.com

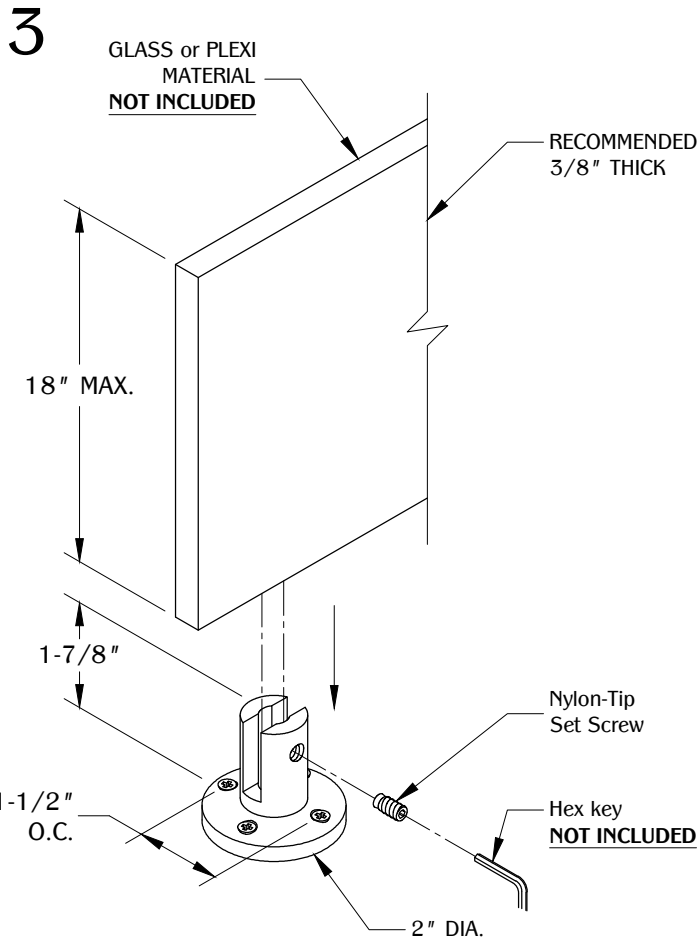


Note:
Recommended part spacing is 24" MAX.

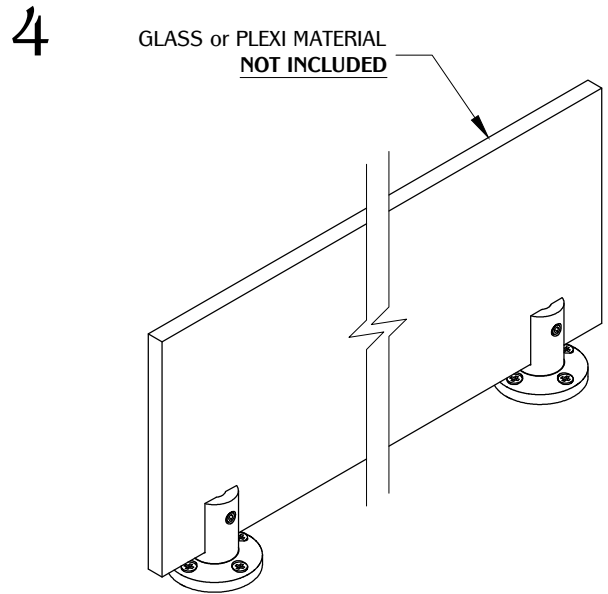
Place PGRP3 Base onto desired work surface. Make sure it is fully leveled onto the surface. Secure using (4) 3/4" No. 8 wood screws.



Place PGRP3 Grip on top of PGRP3 Base and fasten with the (1) 1/4" 5/16 - 18 thread hex socket screw.

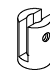
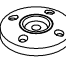





Align the 3/8" material to the PGRP3 Grip. Secure the material with the (1) 5/16" nylon-tip set screw.



**Note: Minimum (2) holders required per panel.

TABLE OF CONTENTS:

1X PGRP3 Grip
1X PGRP3 Base
1X 5/16" - 18 THREAD Hex socket screw
4X 3/4" No. 8 Wood Screws
1X 5/16" 1/4- 20 THREAD Nylon-tip Set Screw