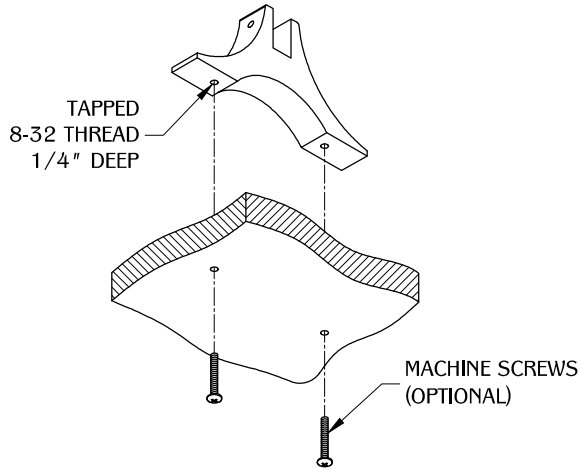
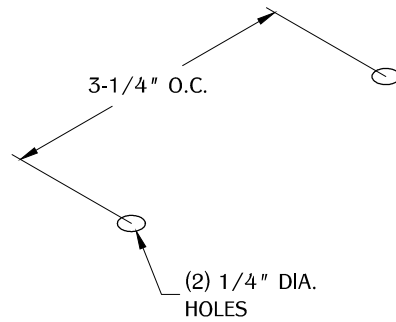


2



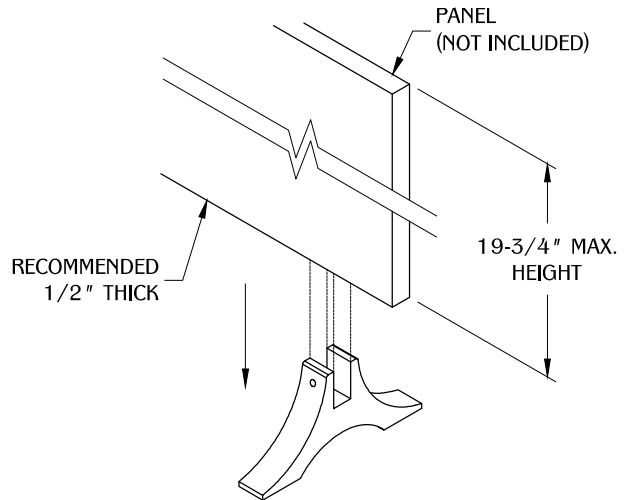
Align PGRP2 with the bottom screw holes and fasten with (2) machine screws.

1



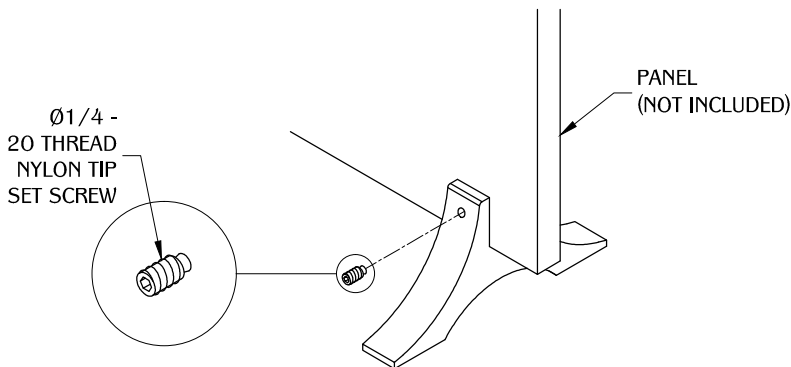
Drill two 1/4" DIA. holes at 3-1/4" O.C. in the desired work surface.

3



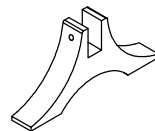


Place the 1/2" thick material in the PGRP2.

4



Secure the material by installing the nylon tip set screw.

TABLE OF CONTENTS:

	.....1 X PGRP2
	.....1 X 5/16" NYLON TIP SET SCREW
	.....1 X 1/8" Hex Key