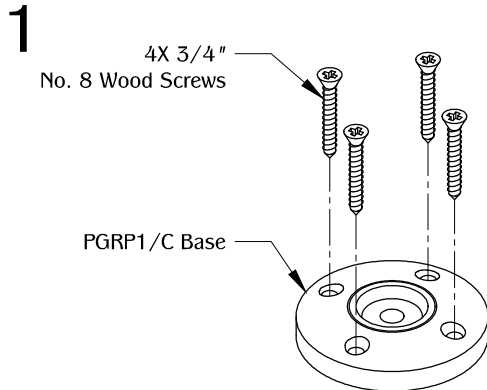


Part #

**PGRP1/C**

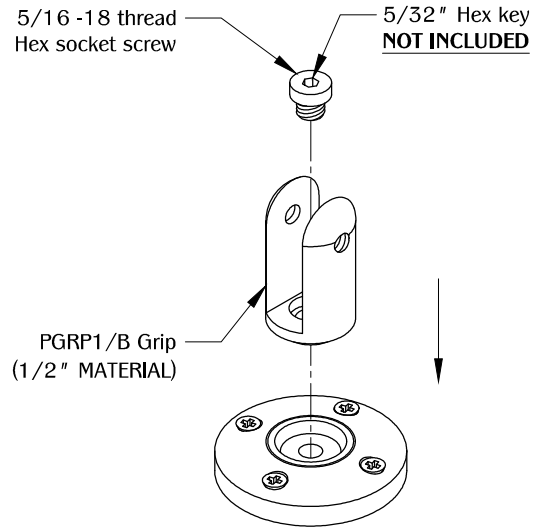
310.318.2491 • 800.523.1269 • www.mockett.com



**Note:**  
Recommended part spacing is 24" MAX.

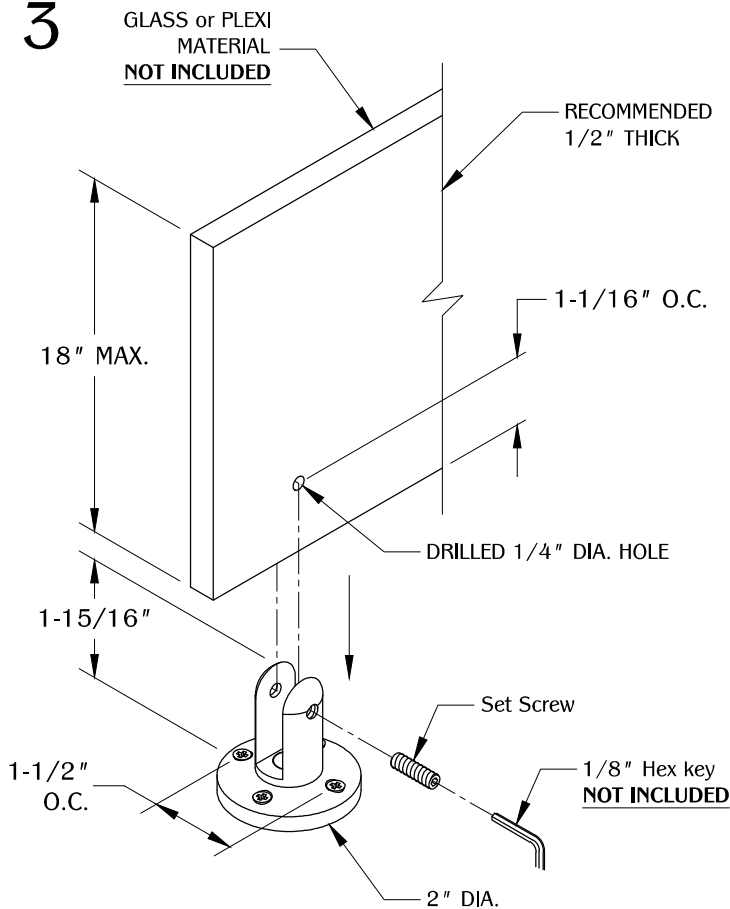
Place PGRP1/C Base onto desired work surface. Make sure it is fully leveled onto the surface. Secure using (4) 3/4" No. 8 wood screws.

**2**



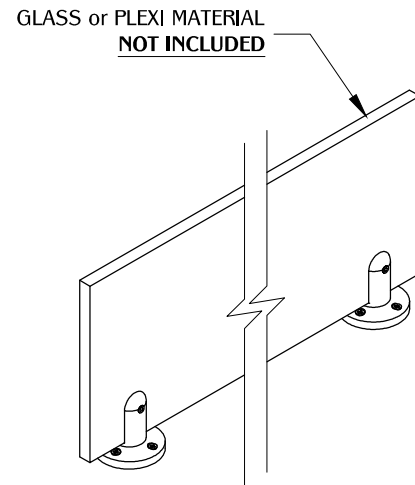
Place PGRP1/C Grip on top of PGRP1/C Base and fasten with the (1) 1/4" 5/16 - 18 thread hex socket screw.

**3**



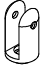






Determine where to drill a 1/4" diameter hole at 1-1/16" height on the material. Align pre-drilled hole with the PGRP1/C Grip. Secure the material with the (1) 3/4" set screw.

**4**



**\*\*Note:** Atleast (2) Holders required per panel.

**TABLE OF CONTENTS:**

	.....1X PGRP1/B Grip
	.....1X PGRP1/B Base
	.....1X 1/4" 5/16- 18 THREAD Hex socket screw
	.....1X 3/4" 1/4- 20 THREAD Set Screw
	.....4X 3/4" No. 8 Wood Screws
	.....1X 5/16" 1/4- 20 THREAD Nylon-tip Set Screw (OPTIONAL)
	.....1X 5/8" 1/4- 20 THREAD Nylon-tip Set Screw (OPTIONAL)