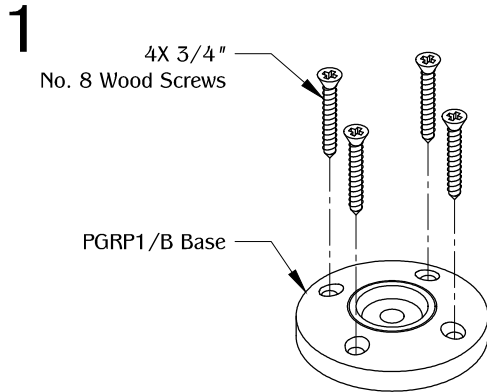


Part #

PGRP1/B

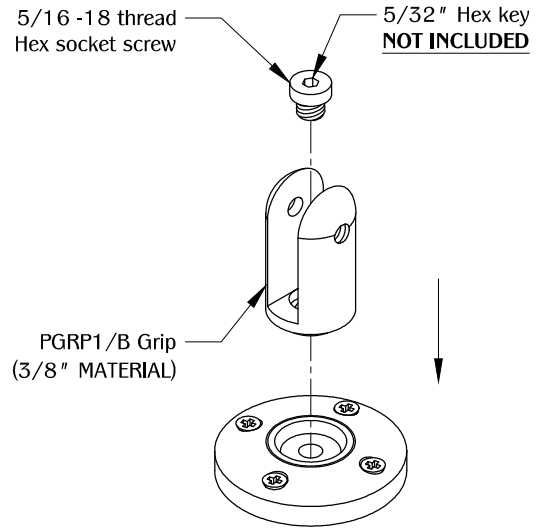
310.318.2491 • 800.523.1269 • www.mockett.com



Note:
Recommended part spacing is 24" MAX.

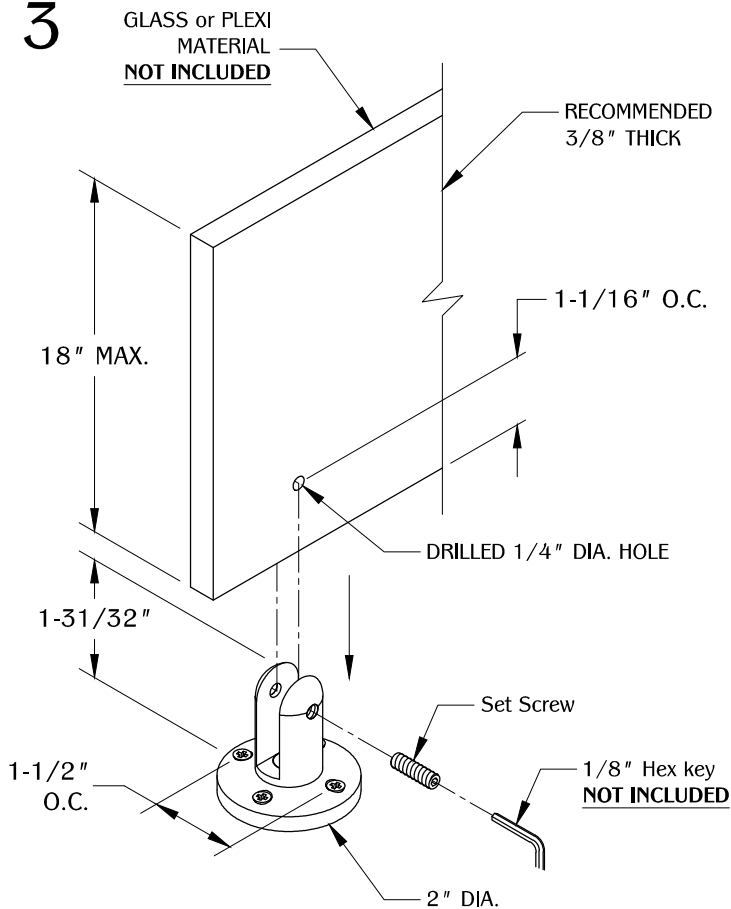
Place PGRP1/B Base onto desired work surface. Make sure it is fully leveled onto the surface. Secure using (4) 3/4" No. 8 wood screws.

2



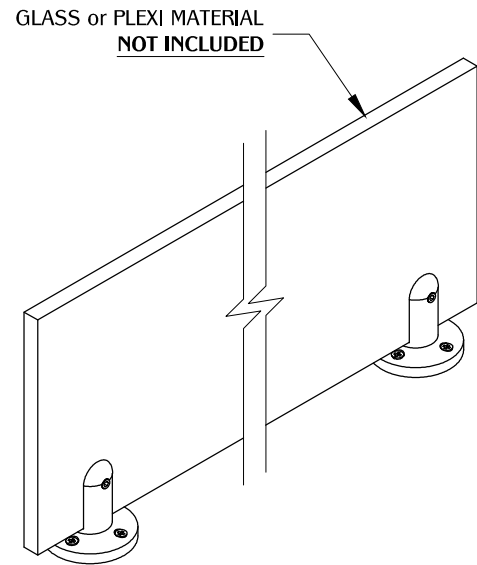
Place PGRP1/B Grip on top of PGRP1/B Base and fasten with the (1) 1/4" 5/16 - 18 thread hex socket screw.

3









Determine where to drill a 1/4" diameter hole at 1-1/16" height on the material. Align pre-drilled hole with the PGRP1/B Grip. Secure the material with the (1) 3/4" set screw.

4



****Note:** Minimum (2) Holders required per panel.

TABLE OF CONTENTS:

1X PGRP1/B Grip
1X PGRP1/B Base
1X 1/4" 5/16- 18 THREAD Hex socket screw
1X 3/4" 1/4- 20 THREAD Set Screw
4X 3/4" No. 8 Wood Screws
1X 5/16" 1/4- 20 THREAD Nylon-tip Set Screw (OPTIONAL)