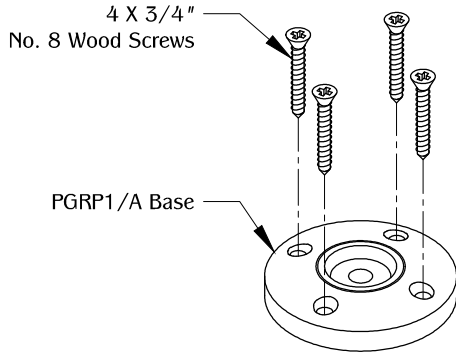


Part #

PGRP1/A

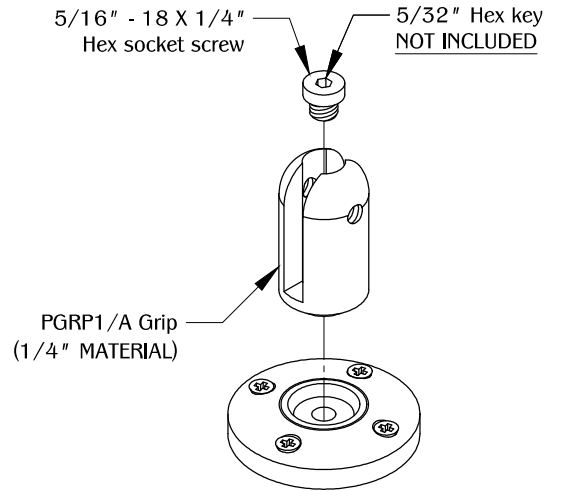
310.318.2491 • 800.523.1269 • www.mockett.com

1



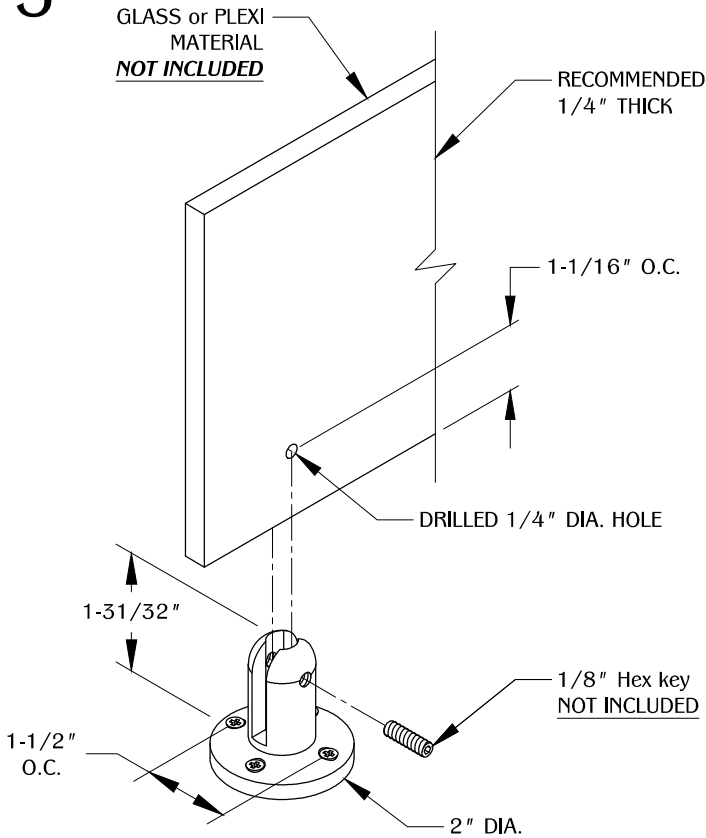
Place PGRP1/A Base on to desired work surface. Make sure to align. Screw with 4 X 3/4" No. 8 wood screws.

2



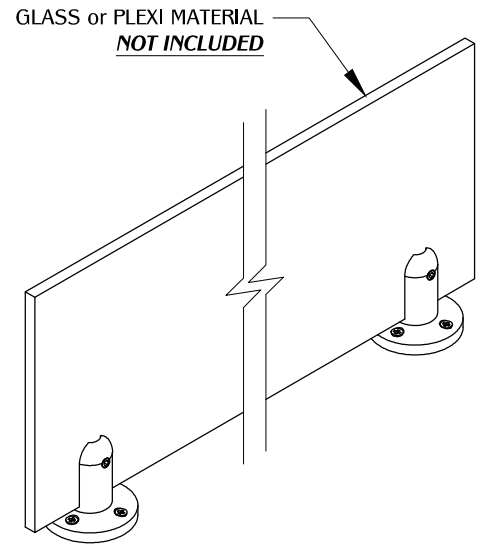
Place PGRP1/A Grip on top of PGRP1/A Base and fasten the 5/16" - 18 X 1/4" hex socket screw.

3








Determine where to drill a 1/4" diameter hole at 1-1/16" height on the material. Align pre-drilled hole with the PGRP1/A Grip. Fasten the material with the 3/4" set screw.

4



\*\*Note: Atleast (2) Holders required per panel.

TABLE OF CONTENTS:

	.....1 X PGRP1/A Grip
	.....1 X PGRP1/A Base
	.....1 X 5/16" - 18 THREAD Hex socket screw
	.....1 X 3/4" SET SCREW
	.....4 X 3/4" No. 8 WOOD SCREWS