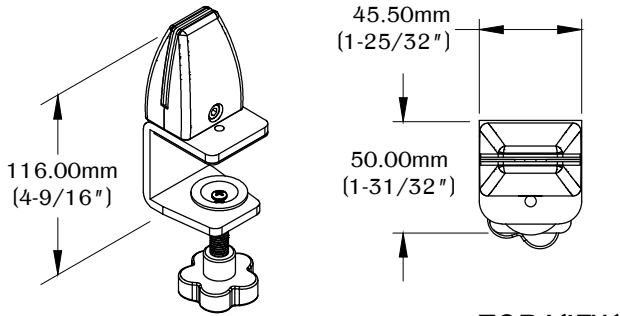


PART #

PGRP14

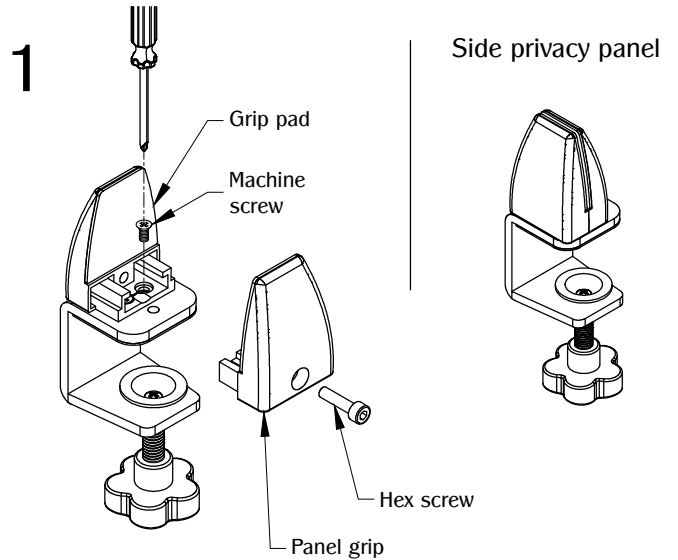
310.318.2491 • 800.523.1269 • www.mockett.com



TOP VIEW

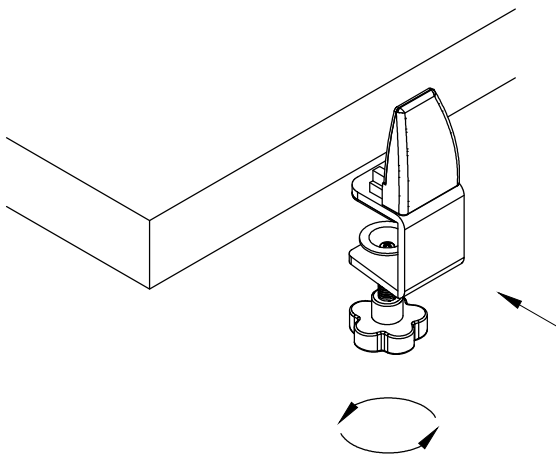
NOTE:

- Panel thickness is 5.00mm (3/16") MIN. to 6.00mm (1/4") MAX. with 20.00mm (25/32") hex screw.
- Panel thickness is 14.00mm (9/16") MIN. to 22.00mm (7/8") MAX. with 34.00mm (1-11/32") hex screw.
- Maximum panel width is 60".
- Maximum panel height is 20".
- Table thickness is 13.00mm (1/2") MIN. to 38.00mm (1-1/2") MAX.
- Maximum spacing between panel grips is 48".



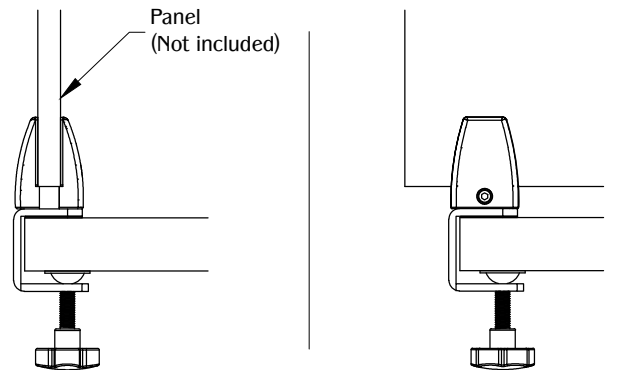
Panel bracket is set up for front. (See Step 3 for Front vs Side orientation) To change to side, remove hex screw and undo (2) machine screws.

2



Slide PGRP14 onto the edge of the work surface and tighten knob to secure the part.

3




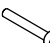


Front privacy panel

Side privacy panel

Insert the panel and reinstall the panel grip. Secure panel by using the appropriate hex screw 20.00mm (25/32") or 34.00mm (1-11/32") according to the panel thickness .

TABLE OF CONTENTS:

 1X PGRP14	 1X 20.00mm (25/32") M6-1.0 thread hex screw	 2X Grip pad
		 1X 34.00mm (1-11/32") M6-1.0 thread hex screw		