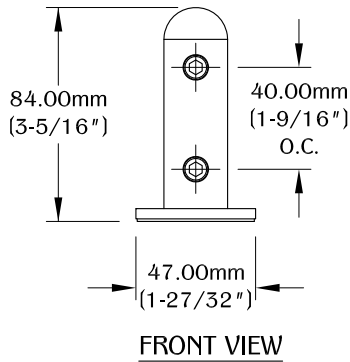
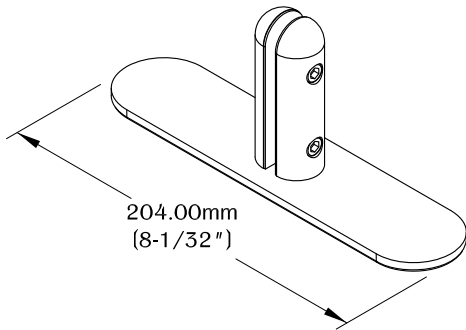


PART #

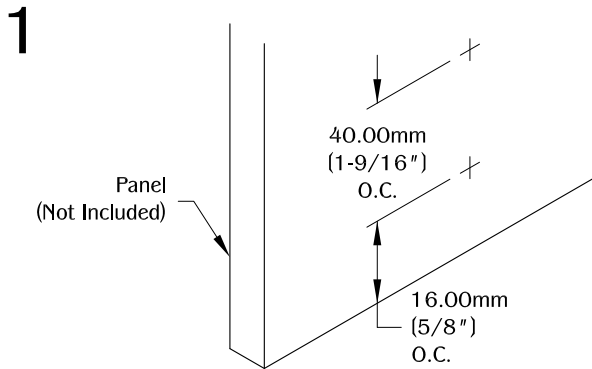
PGRP13

310.318.2491 • 800.523.1269 • www.mockett.com

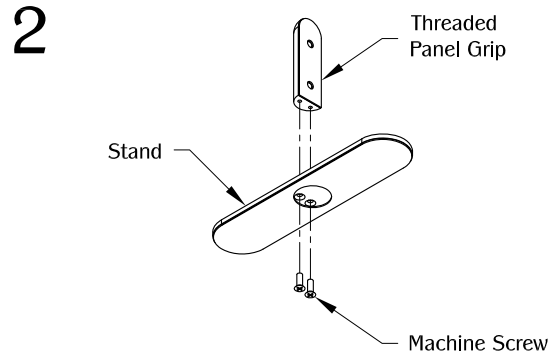


NOTE:

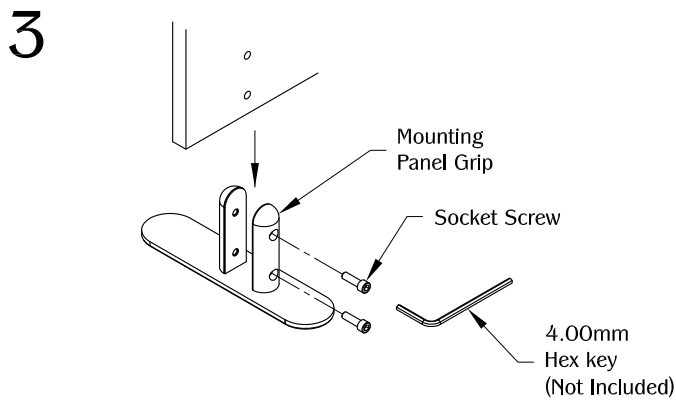
- Panel thickness is 3.00mm (1/8") MIN. to 9.00mm (3/8") MAX. with 18.00mm socket screw.
- Panel thickness is 7.00mm (9/32") MIN. to 12.00mm (15/32") MAX. with 24.00mm socket screw.
- Maximum panel height is 48".
- Maximum panel width is 60".
- Maximum spacing between panel grips is 48".



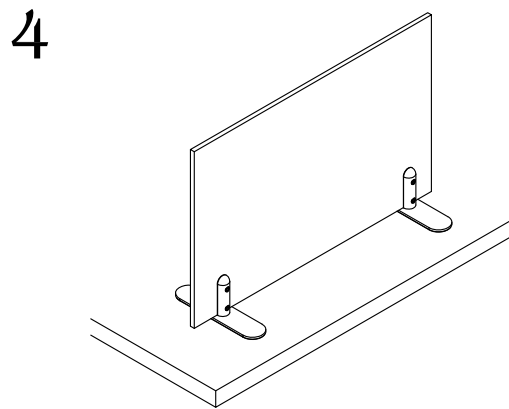
Drill (2) 6.00mm (1/4") DIA. holes at 40.00mm (1-9/16") O.C. on the panel.



Secure threaded panel grip to stand by using the (2) machine screws.



Align the holes of the panel with the holes on the threaded panel grip and mounting panel grip. Secure panel by using either 24.00mm or 18.00mm socket screws provided, depending on panel thickness. Repeat steps as needed for additional panel grips.



Determine the position and location of the panel grips on the work surface and set in place.

TABLE OF CONTENTS:



..... 1X Mounting Panel Grip



..... 1X Threaded Panel Grip



..... 1X Stand



..... 2X 10.00mm M4-.7 Thread Machine Screws



..... 2X 24.00mm M6-1.0 Thread Socket Screws



..... 2X 18.00mm M6-1.0 Thread Socket Screws