

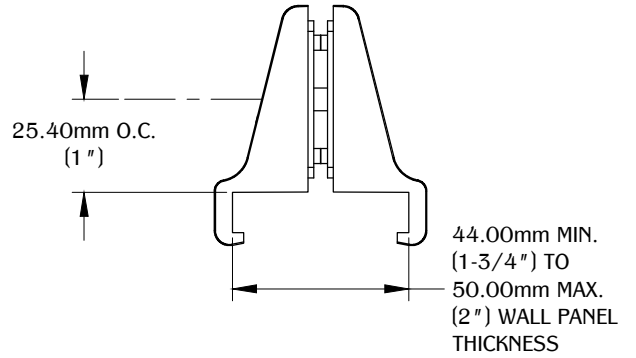
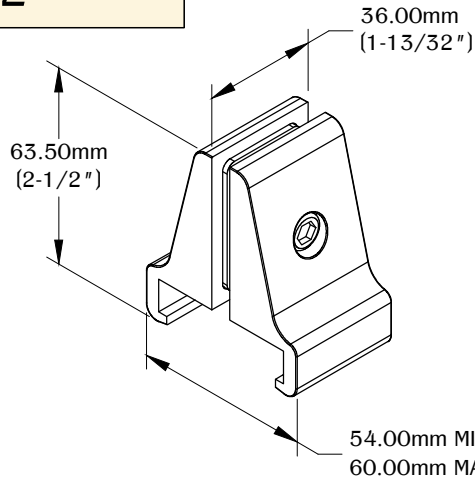
PART #

PGRP12

310.318.2491 • 800.523.1269 • www.mockett.com

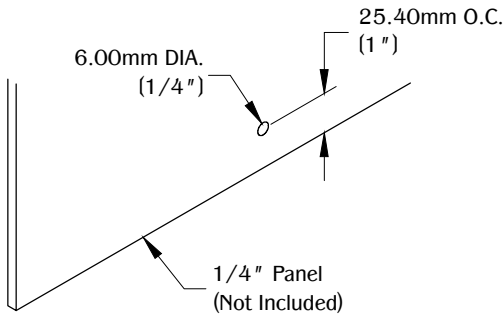
NOTE:

- Supports A02 panel system.
- Panel thickness is 6.00mm (1/4").
- Panel height is 18" MAX.
- Panel spacing is 36" MAX.



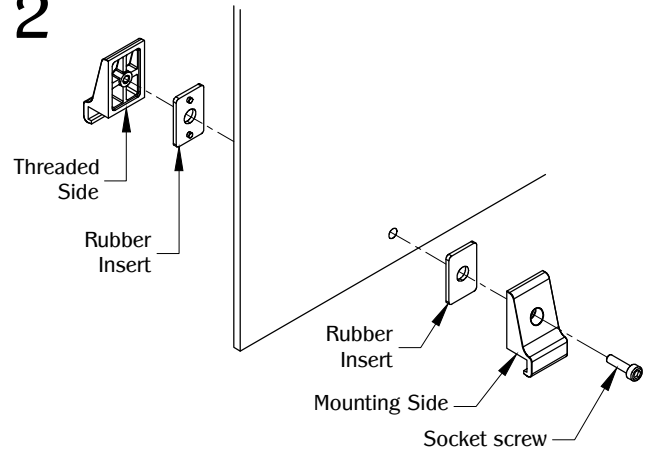
RIGHT VIEW

1



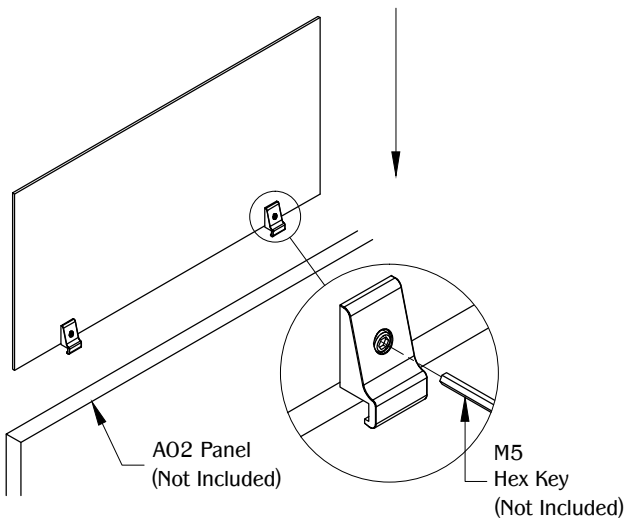
Drill a hole through the panel.

2





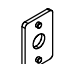

Align the PGRP12 on the predrilled hole. Assemble the components with the socket machine screw loosely.

3



Place the assembly on top of the A02 panel. Secure the PGRP12 by tightening the socket machine screw completely.

TABLE OF CONTENTS:

1X PGRP12 Threaded Side
1X PGRP12 Mounting Side
2X Rubber Insert
1X 19.00mm M8 X 1.0 Thread Socket machine screw