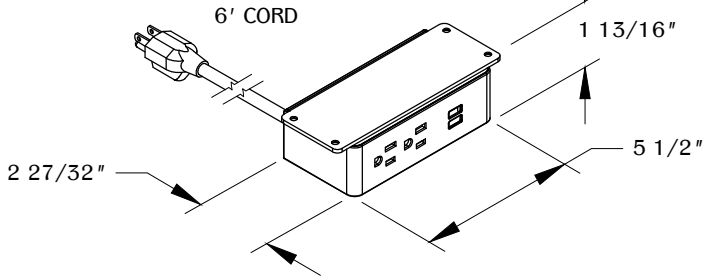
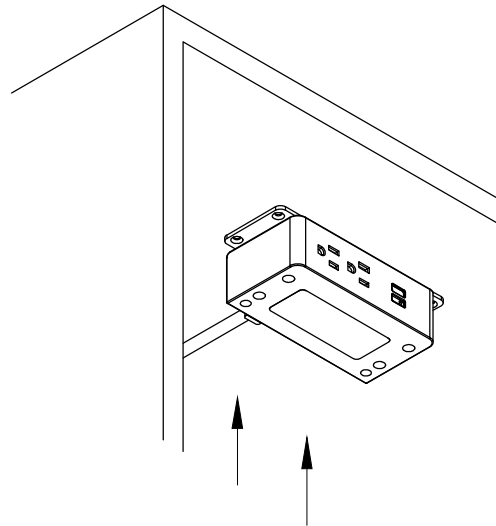


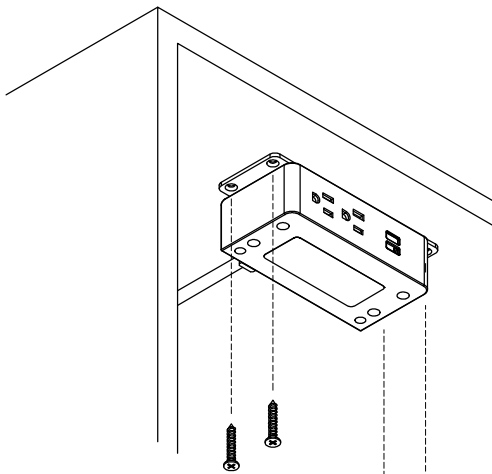
USB OUTLETS FOR CHARGING USE ONLY.



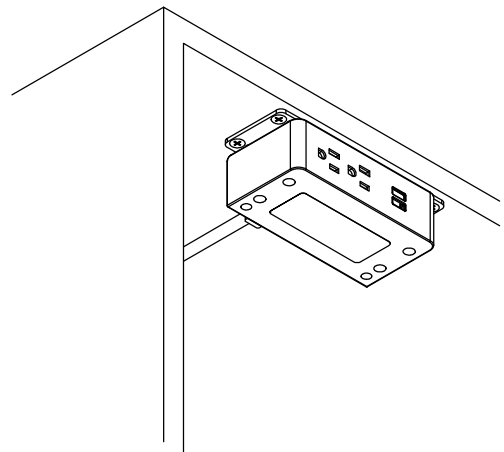
1



2



3

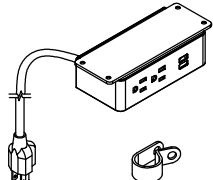




Recommended placement:
no less than 1/4" from the
front of the worksurface



Use (4) #6 X 1/2"
Flat Head Wood Screws
**RECOMMENDED BUT
NOT SUPPLIED**

TABLE OF CONTENTS:

 1x PCS99B
 2x Wire Guides
 2x Screws