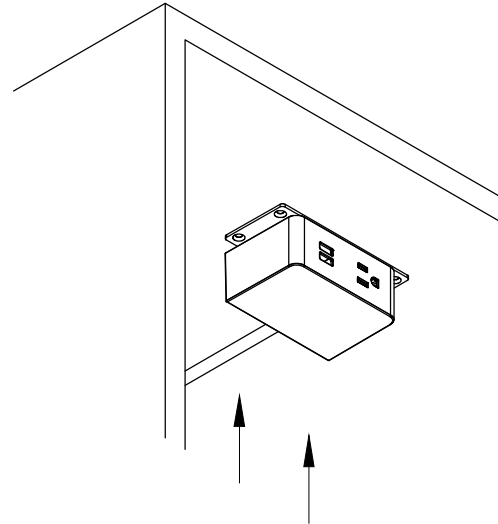
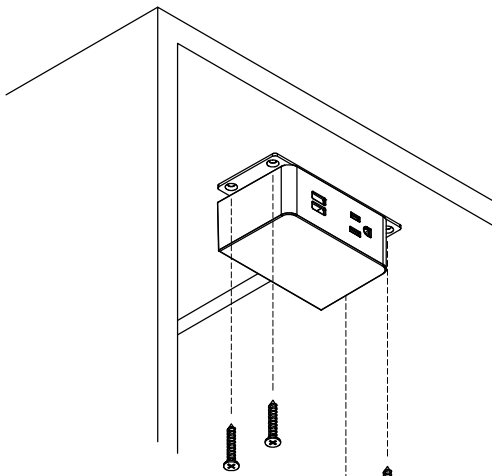


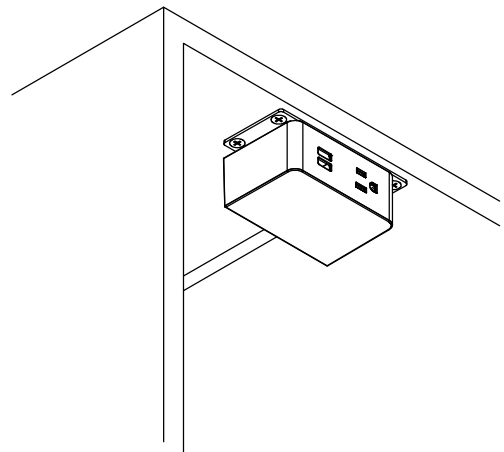
1



2



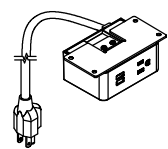


3



Recommended placement:  
no less than 1/4" from the  
front of the worksurface

Use (4) #6 X 1/2"  
Flat Head Wood Screws  
RECOMMENDED BUT  
NOT SUPPLIED

### TABLE OF CONTENTS:

	1x PCS99A
	2x Wire Guides
	2x Screws