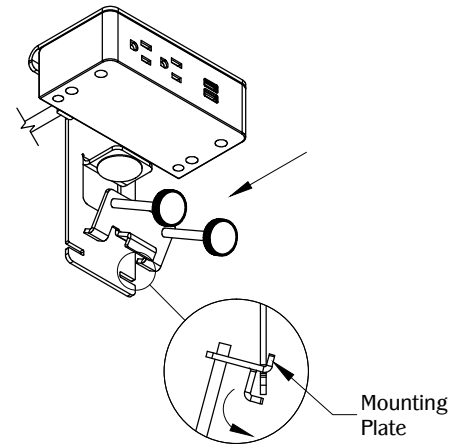


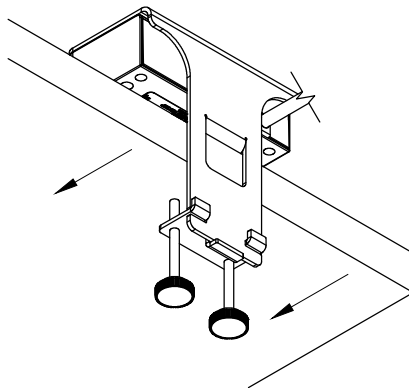
RIGHT VIEW

1



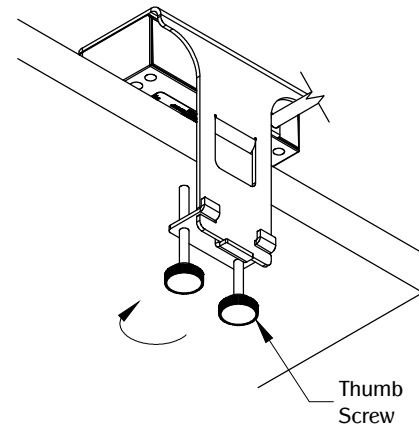
Loosen the thumb screw to install the mounting clamp in the notch at the lower part of the unit.

2



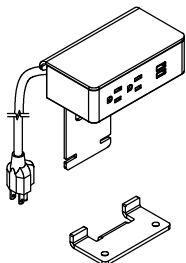
Install the unit at the desired edge of the work surface. Make sure the unit is fully leveled on the work surface.

3



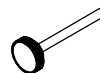
Secure the unit by tightening thumb screws. Plug the unit into nearby outlet (outlet should be close enough to where power cord is not taut or strained) and unit is ready for use.

TABLE OF CONTENTS:



.....1 X PCS98B
(2 POWER,
1 DUAL USB)

.....1 X Mounting Clamp



.....2 X Thumb screws



.....2 X Wire Guides



.....2 X Screws