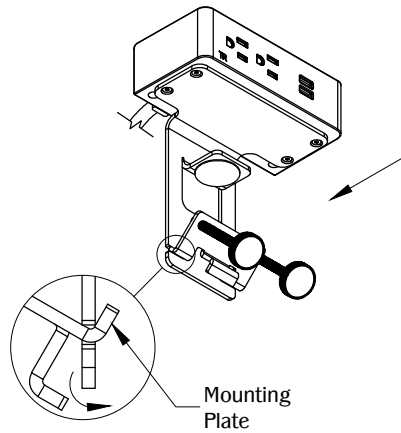
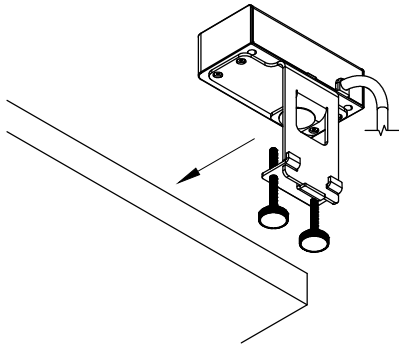


1



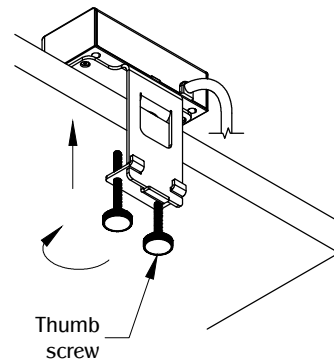
Loosen the thumb screw to install the mounting clamp in the notch at the lower part of the unit.

2



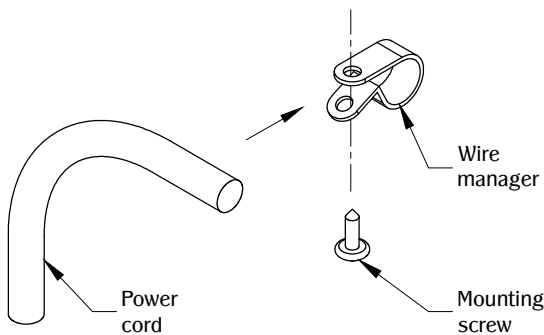
Install the unit at the desired edge of the work surface. Make sure the unit is fully leveled on the work surface.

3



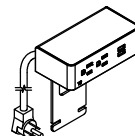
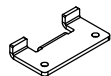



Secure the unit by tightening thumb screws. Plug the unit into nearby outlet (outlet should be close enough to where power cord is not taut or strained) and unit is ready for use.

4 (OPTIONAL)



Place the cord in the wire manager. Align the screw with the mounting holes to lock the cord in place under the work surface.

TABLE OF CONTENTS:

1X PCS98B/TR
1X Mounting Clamp
2X Thumb screws
2X Wire Guides
2X No.8 Pan head mounting screws