

* 10 FT. CORD

NOTE: USB PORTS ARE FOR CHARGING PURPOSES ONLY.

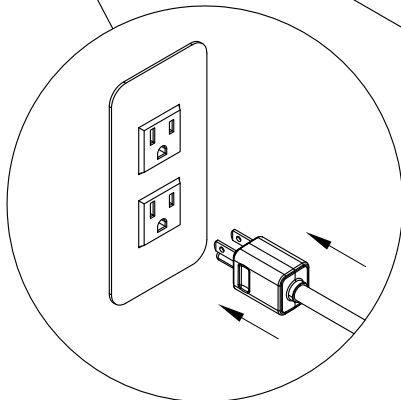
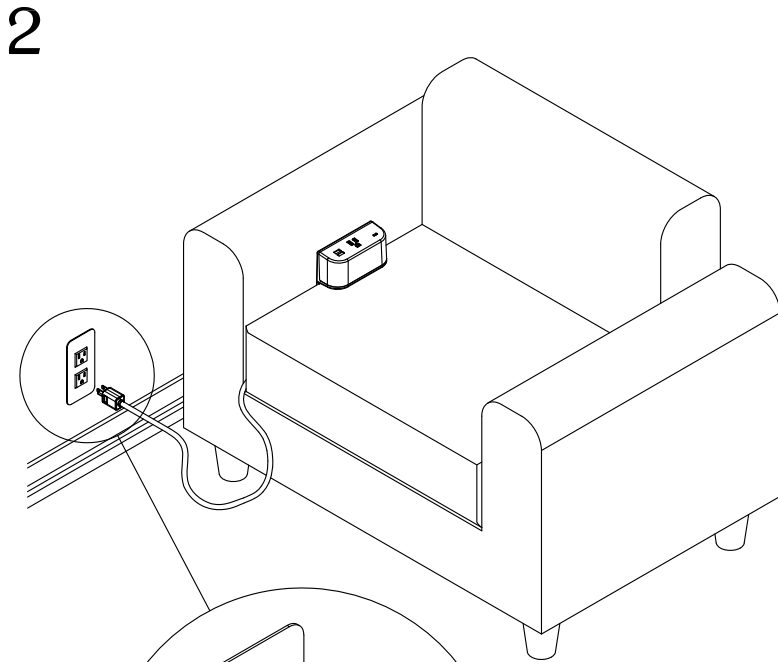
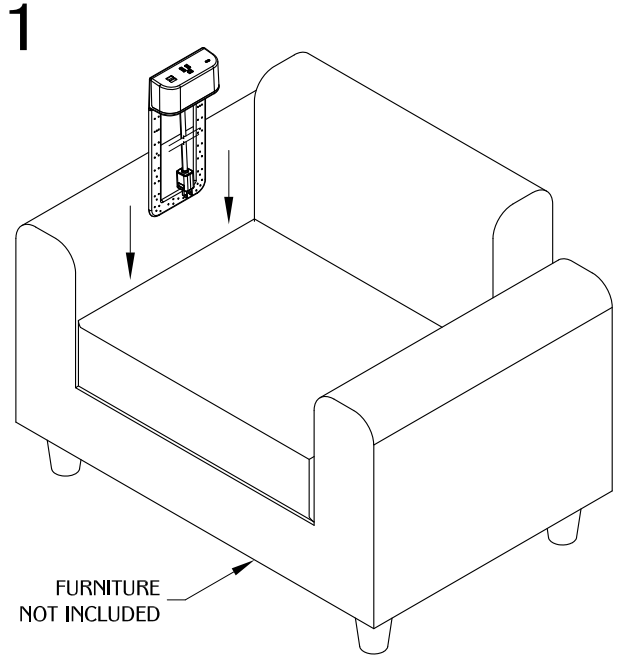
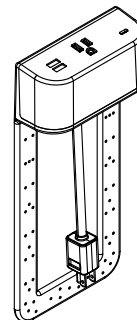


TABLE OF CONTENTS:



..... 1 X PCS95