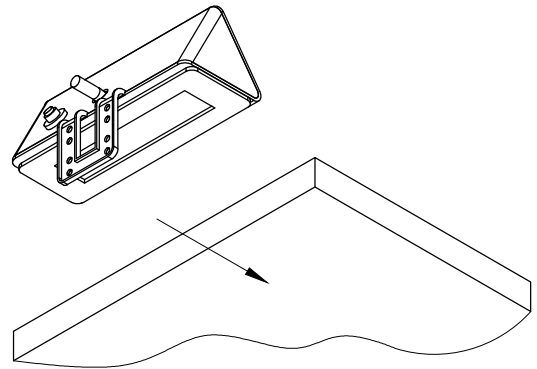


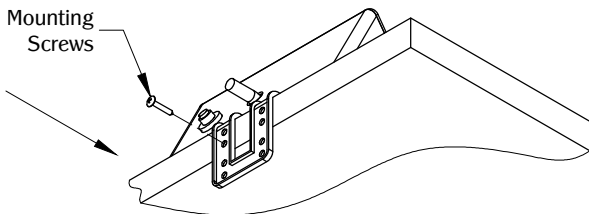
RIGHT VIEW

1



Determine the position and location of the unit on the edge of the work surface. (Note: Minimum table thickness is 3/4".)

2

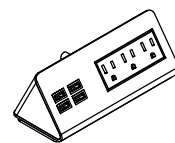


Secure the unit on the edge work surface by using (4) screws.

NOTE:

1. USB is for charging use only.
2. Plug the unit into nearby outlet where power cord is not taut or strained.
3. 4 ft. Power Cord
4. ** CAUTION - For indoor use only.

TABLE OF CONTENTS:



..... 1 X PCS93
(3 POWER, 4 USB)



..... 4 X Mounting Screws