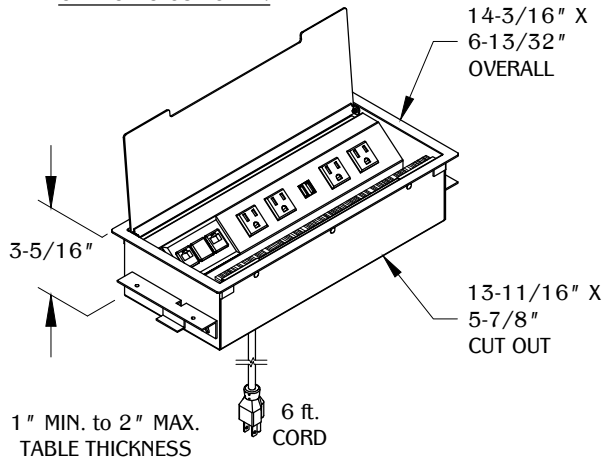


PART #

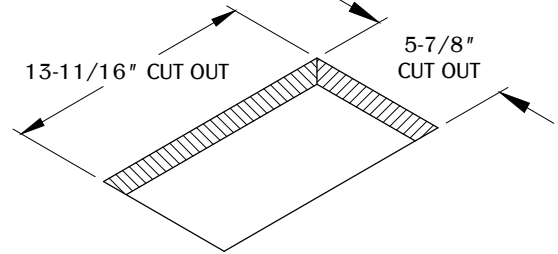
PCS91/USB

310.318.2491 • 800.523.1269 • www.mockett.com

 USB plugs for CHARGING USE ONLY.

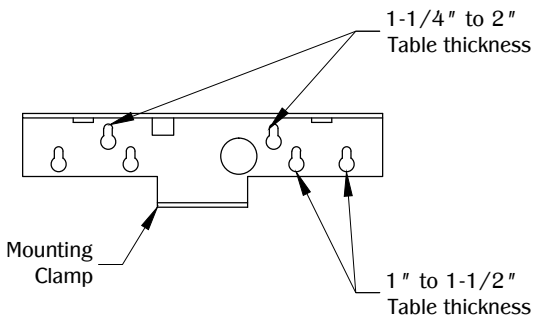


1



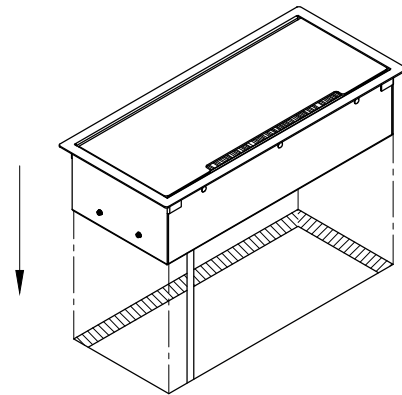
Determine the position and location of the unit on the work surface. Cut the hole at 13-11/16" X 5-7/8" from the top.

2



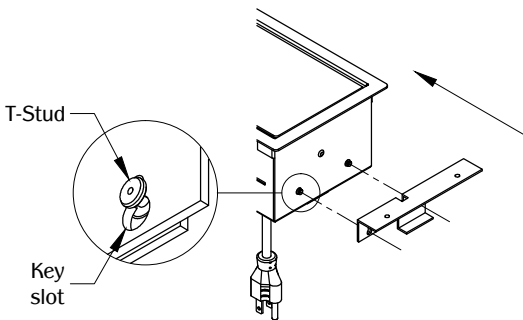
Determine the table thickness. Use the recommended guide above for the key slots on the mounting bracket.

3



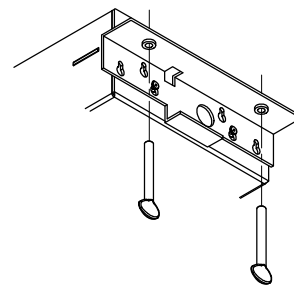
Install the unit into the cut out and be sure it is fully level on the surface.

4



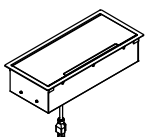
Align the mounting bracket key slots to the T-studs under the unit.

5

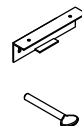


Tighten the (2) thumb screws on the mounting bracket. Plug the unit into nearby outlet (outlet should be close enough to where power cord is not taut or strained) and unit is ready for use.

TABLE OF CONTENTS:



.....1 X PCS91/USB
(4 POWER, 1 DUAL USB & 2 DATA)



.....2 X Mounting Bracket

.....4 X Thumb screw