

PART #

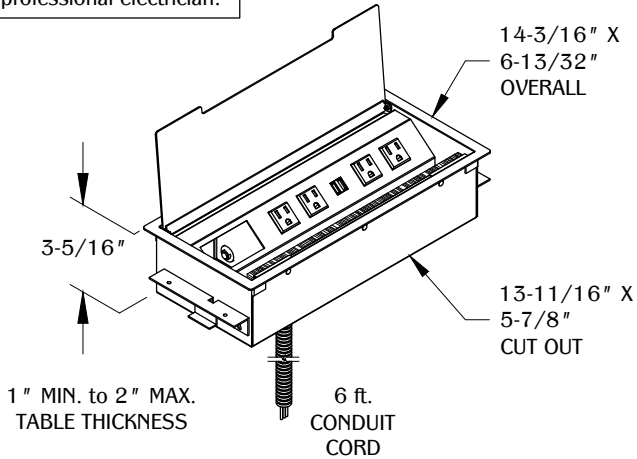
PCS91/U1/HW-U

310.318.2491 • 800.523.1269 • www.mockett.com

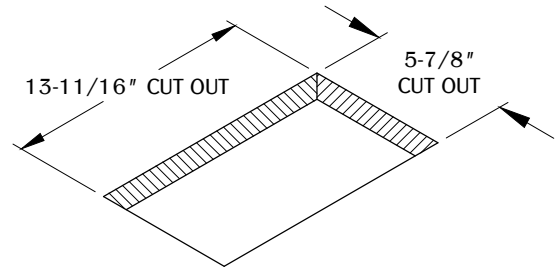
NOTE:
Unit should be installed by
a professional electrician.



USB plugs for
CHARGING USE ONLY.

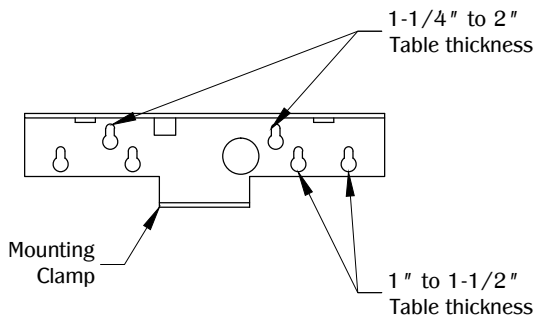


1



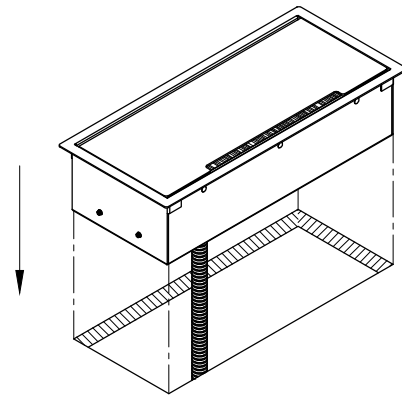
Determine the position and location of the unit on the work surface. Cut the hole at 13-11/16" X 5-7/8" from the top.

2



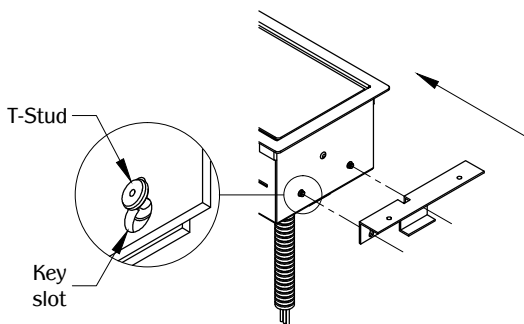
Determine the table thickness. Use the recommended guide above for the key slots on the mounting bracket.

3



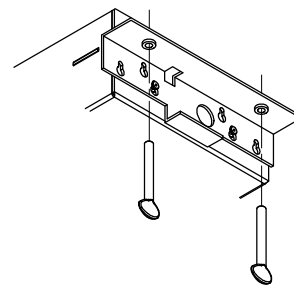
Install the unit into the cut out and be sure it is fully level on the surface.

4



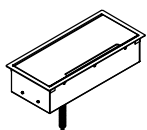
Align the mounting bracket key slots to the T-studs under the unit.

5



Tighten the (4) thumb screws on the mounting bracket. Connect the hardwires (Hardwire connection MUST comply with local electrical code.) and unit is ready for use.

TABLE OF CONTENTS:



.....1 X PCS91/U1/HW-U
(4 POWER, 1 DUAL USB)



.....2 X Mounting Bracket



.....4 X Thumb screw