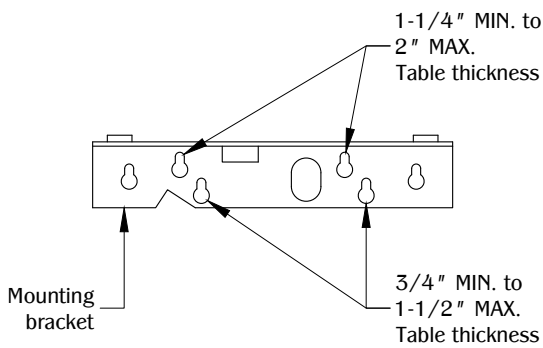


NOTE:

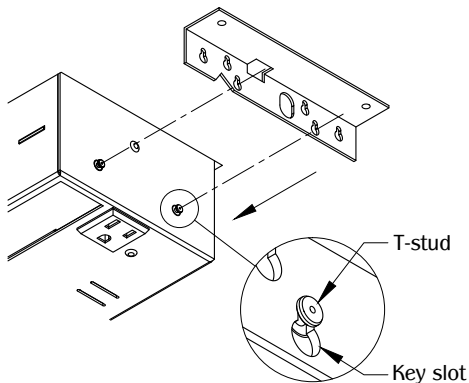
- 6 ft. cord length.
- USB ports are for charging use only.
- Table thickness 3/4" MIN. to 2" MAX. (See Step 2 for details.)

2



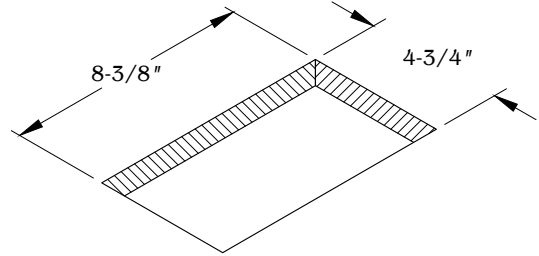
Determine the table thickness of the work surface. Use the appropriate key slots on the mounting bracket.

4



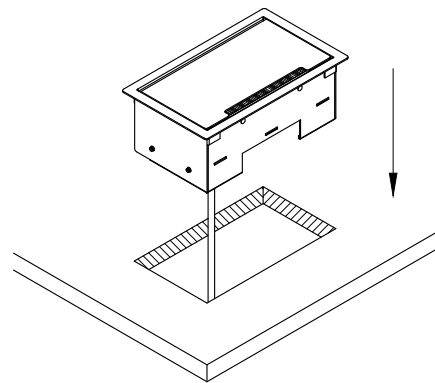
Align the (2) mounting bracket to the desired key slots to the T-studs on both sides under the unit.

1



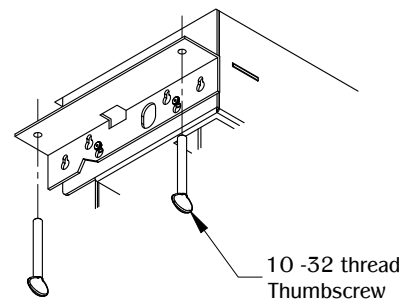
Determine the position and location of the unit on the work surface. Make a 8-3/8" X 4-3/4" cut out. Place and allow enough clearance for unit operation. DO NOT place unit where cable is strained or trapped.

3



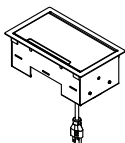
Guide the power cord through the cut out. Install the unit into the cut out and make sure it is fully leveled onto the surface.

5

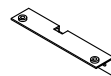


Install and tighten the (2) 10 -32 thread thumbscrews on the mounting bracket on both sides until unit is secure. Plug the unit into nearby outlet and unit is ready for use.

TABLE OF CONTENTS:



.....1X PCS90/USB-U



.....2X Mounting Bracket



.....4X 2"  
10 -32 thread  
Thumbscrew