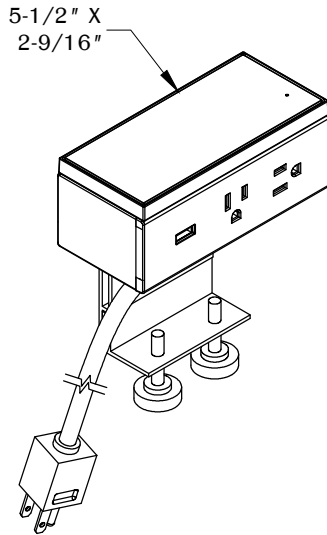
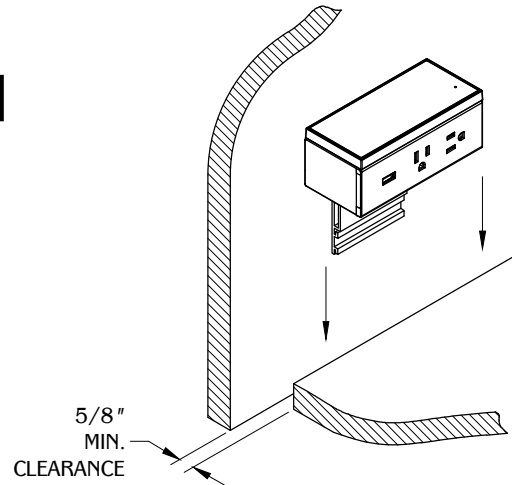


NOTE:

- 6 ft. Cord.
- Table thickness see STEP 2.
- USB port are for charging use ONLY.
- For use on a normally dry work surface.
- Mobile device must be equipped with a wireless charging receiver (Wireless charging accessories not included.) Check mobile manufacturer for compatibility.
- Wireless output 5W Max.

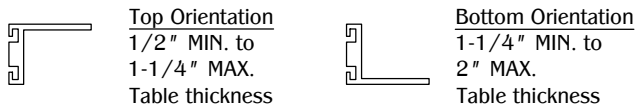
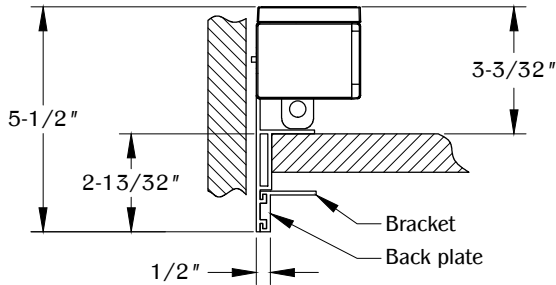


1



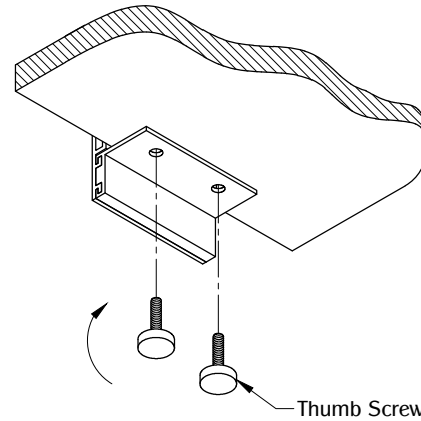
Install the unit at the desired edge of the work surface. Make sure the unit is fully leveled on the work surface.

2



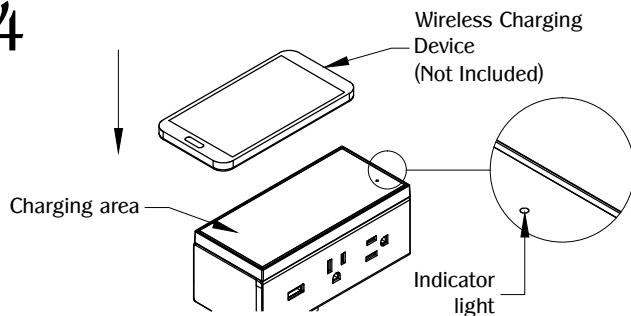
Determine the table thickness and orientation of the bracket. Install the bracket to the back plate of the unit.

3



Align the thumb screw to secure the unit by turning clockwise.

4



Position the mobile device on the center of the charging area. The indicator light will blink a blue light to signify that the device is actively charging or the charging icon will activate on the device's screen. The indicator light will show a red light when the device is not aligned at the center of the charging area.

TABLE OF CONTENTS:

 1X PCS86B/WC
 2X THUMB SCREW
 1X BRACKET