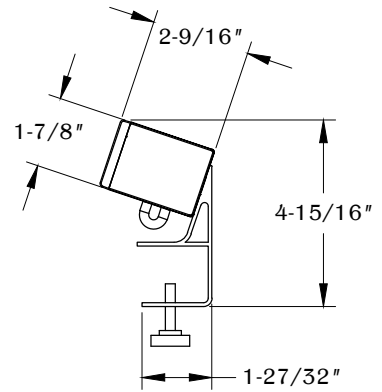
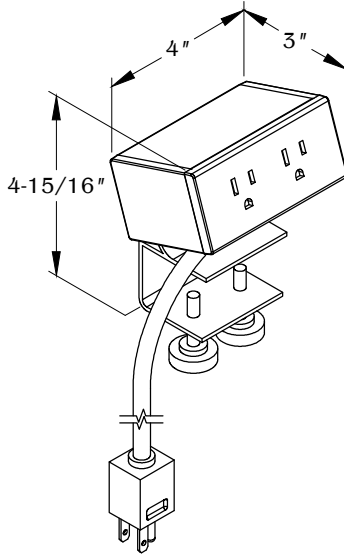


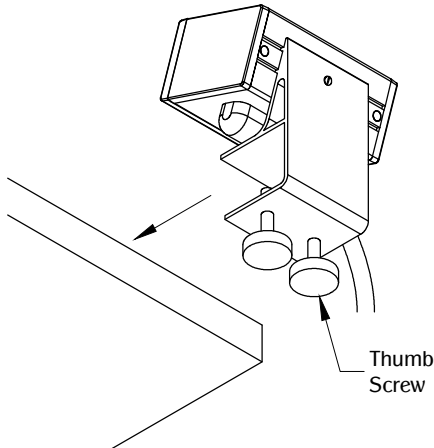
NOTE:

- 6 ft. cord length.
- Table thickness is 3/4" MIN. to 1-1/2" MAX.
- Plug dimension is 1-11/32" X 1" X 7/8".



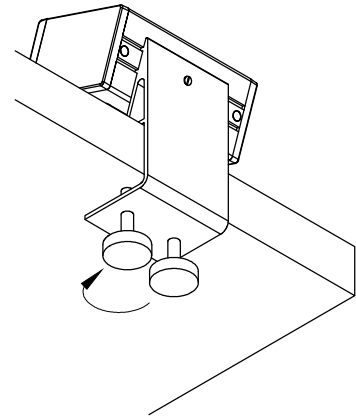
RIGHT VIEW

1



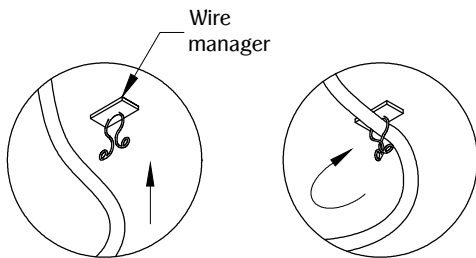
Loosen the (2) thumb screws to install the unit at the desired edge of the work surface.

2



Make sure the unit is fully leveled on the work surface. Secure the unit by tightening thumb screws. Plug the unit into nearby outlet (outlet should be close enough to where power cord is not taut or strained) and unit is ready for use.

3



Use the optional wire manager by placing the cord in the opening and twisting the sides.

TABLE OF CONTENTS:

1X PCS86A/EE
2X Thumb screws
1X Wire Manager