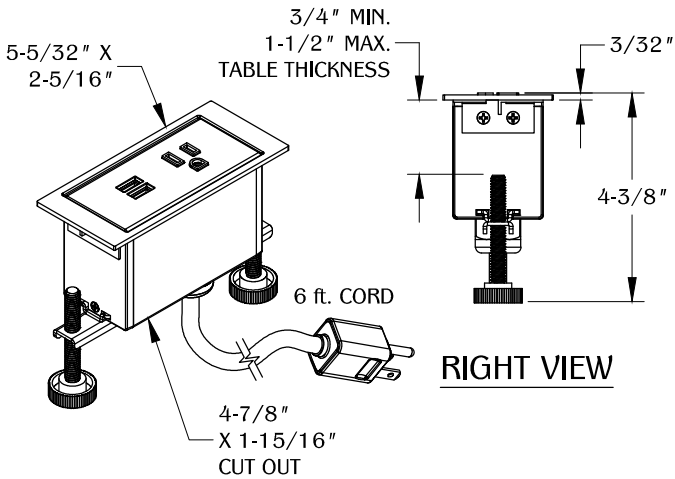
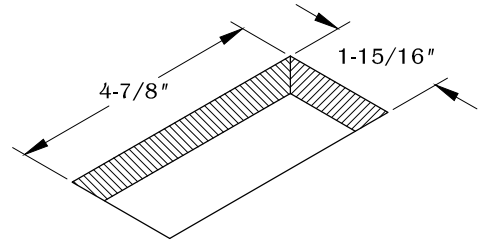


USB plugs for CHARGING USE ONLY.

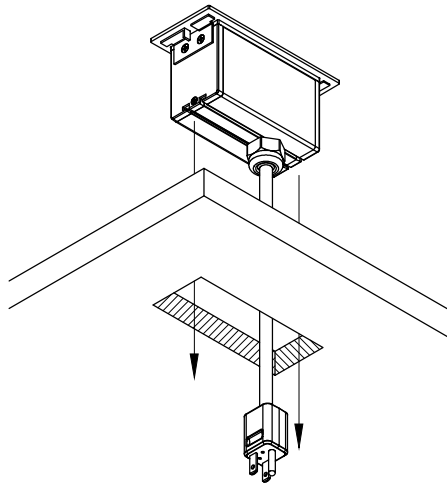


1



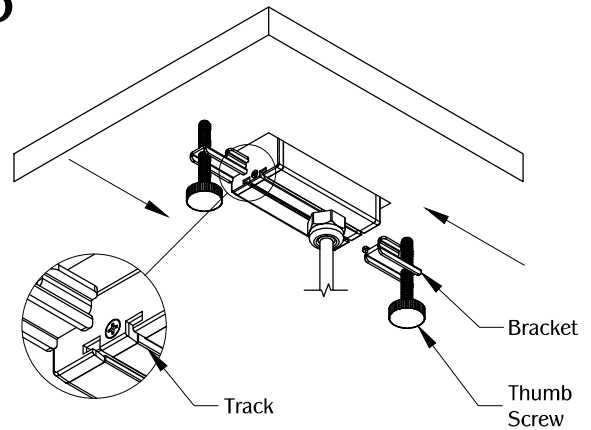
Make a cutout in the desired location on your work surface. Allow enough clearance for unit operation. **DO NOT** place unit where the cable is strained or trapped.

2



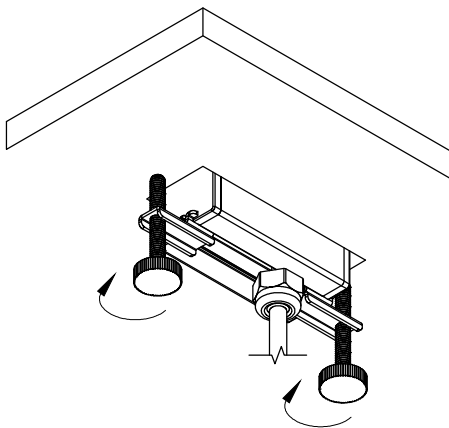
Guide the cord through the cut out. Install the unit into the cutout and make sure it is fully level on the surface.

3



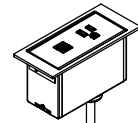
Slide the (2) mounting bracket on to the track at the bottom of the unit. Secure the part by using the (2) thumb screws.

4



Hand-tighten the thumb screws until the unit is secure. Plug the unit into nearby outlet and unit is ready for use.

TABLE OF CONTENTS:



.....1 X PCS85A/USB  
(1 POWER & 1 DUAL USB)



.....2 X Mounting Bracket



.....2 X Thumb screws