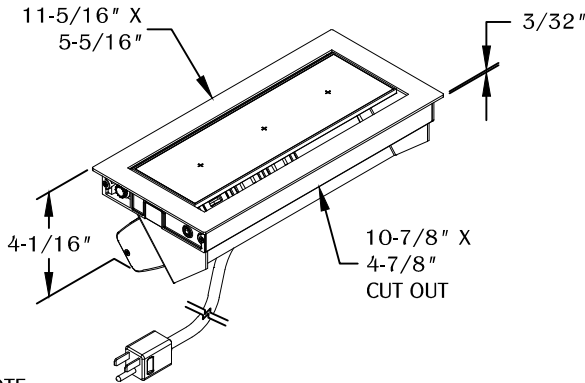


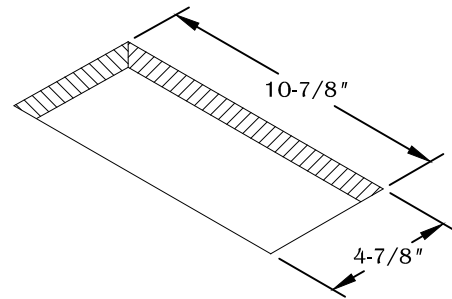
PART #

PCS84/WCU1-U

310.318.2491 • 800.523.1269 • www.mockett.com



1

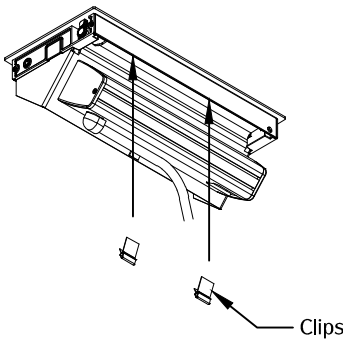


NOTE:

- 6ft. cord length.
- USB-A ports are for charging use only.
- Mobile device must have a wireless charging receiver.
- Wireless output is 5W MAX.
- Table thickness is 3/8" MIN. to 1-1/2" MAX.
- For use on a normally dry work surface.

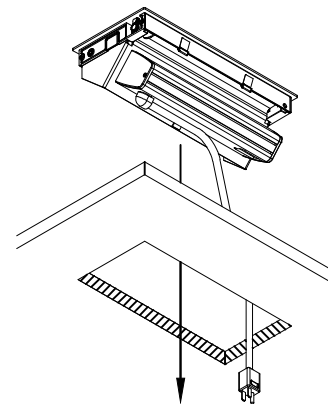
Determine the position and location of the unit on the work surface. Place and allow enough clearance for unit operation. DO NOT place unit where the cable is strained or trapped. Cut the hole at 10-7/8" X 4-7/8".

2



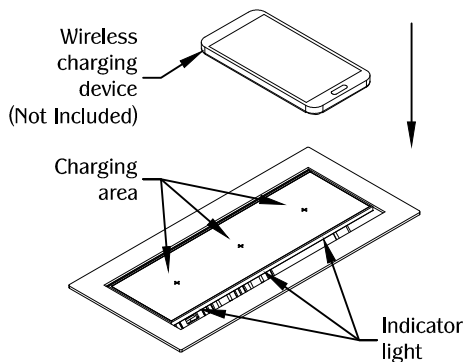
Install the clips at the back of the unit.

3



Guide the power cord through the cut out. Install the unit into the cut out and make sure it is fully leveled onto the surface. Plug the unit into nearby outlet and unit is ready for use.

4



Position the mobile device on the center of the charging area. The indicator light activates to signify that the device is actively charging or the charging icon will activate on the device's screen.

NOTE:

PLEASE USE APPLICABLE ADAPTER FROM DATA TREE. (SEE PCS DATA TREE PAGE FOR MORE INFORMATION.)

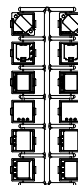
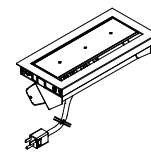


TABLE OF CONTENTS:



.....1X PCS84/WCU1-U

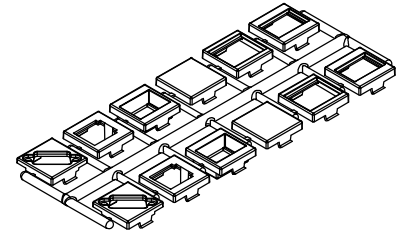


.....2X Clips

PCS Data Tree

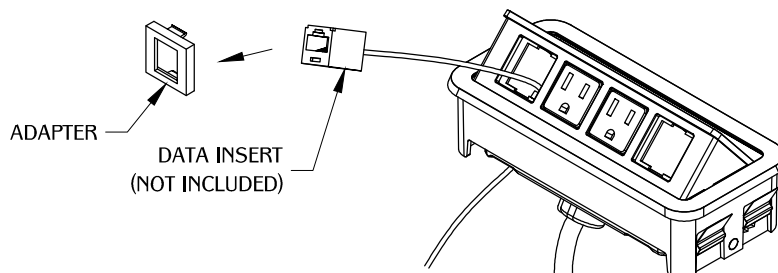
- 1.) Select the appropriate adapter from the chart below. (example: Panduit Mini-Com Series jack would use "FFF" adapter marked on back of adapter.)

*Jacks, not included, UL Listed (DUXR) or Recognized (DUXR2) jacks required.



| Adapter | Manufacturer | Website |
|---------|--|-------------------------|
| BBB | L-Com Keystone Modular | www.L-Com.com |
| BBB | NETCONNECT, and 110 Connect Series Modular Jack | www.Anixter.com |
| BBB | Siemon ZMAX Style | www.Siemon.com |
| BBB | Allen Tel Versa Tap Series | www.Graybar.com |
| BBB | Leviton Quick Port ® Series | www.Leviton.com |
| BBB | Belden REVConnect | www.Belden.com |
| BBB | HDMI Adapter Cable | www.Mockett.com |
| CCC | Hubbell Nextspeed™ Keystone Series | www.Hubbell-premise.com |
| CCC | ADC Truenet Series | www.Anixter.com |
| DDD | Blank (no coupler/jack) | - |
| EEE | Ortronics TracJack Series | www.Ortronics.com |
| FFF | Panduit Mini-Com Series | www.Panduit.com |
| HHH | Video Monitor Jack/DB-15, panel mount solder style | www.Mockett.com |

- 2.) Snap Jack into adapter following the instructions provided with the jack.
 3.) Once assembled, snap adapter into the notched, square holes in the orientation shown.



NOTE: Please verify fit of jack in adapter before ordering large quantities as manufacturer designs may change without notice.