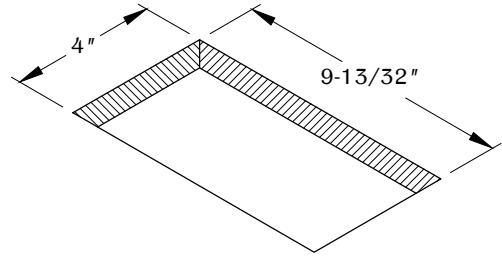


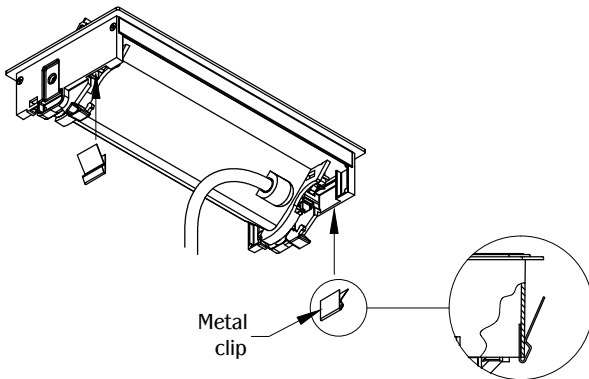
Table thickness is 7/8" MIN. to 1-11/16" MAX.

1



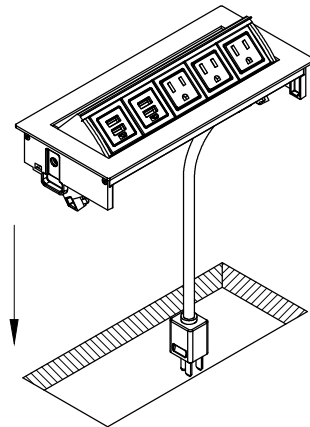
Make a cut out in the desired location on your work surface. Place near a power outlet and allow enough clearance for unit operation. **DO NOT** place unit where the cable is strained or trapped. Cut a hole at 9-13/32" X 4".

2



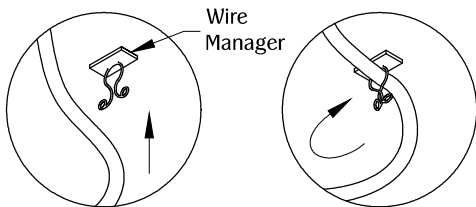
Place metal clips in the slots on the side of the unit. (NOTE: Metal clips are for use in hard surface material only as an optional mounting means.)

3



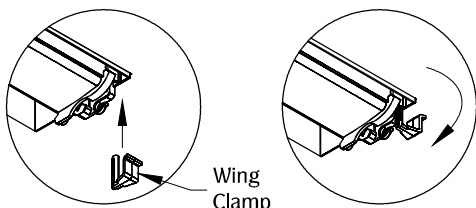
Guide the power cord through the cut out. Install the unit into the cut out and make sure it is fully leveled onto the surface.

4



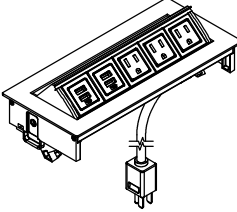



Optional wire manager.

5



Secure unit by turning bottom wing clamp.

TABLE OF CONTENTS:

 1 X PCS82C/U2 (3 POWER & 2 DUAL USB)
 1 X Wire manager
 2 X Metal clips
 2 X Wing clamp