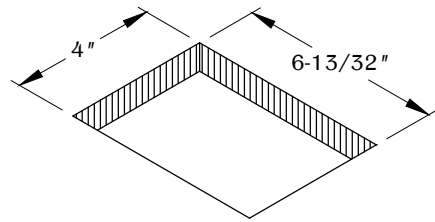
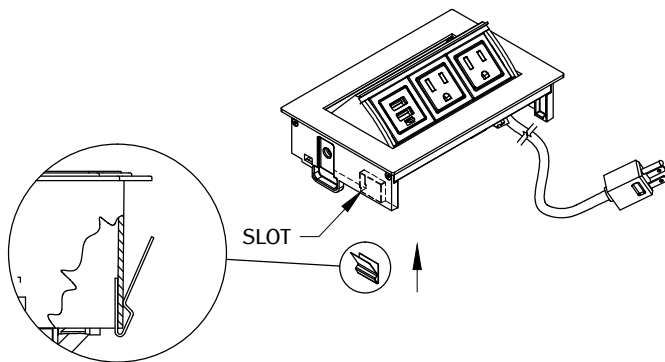


1



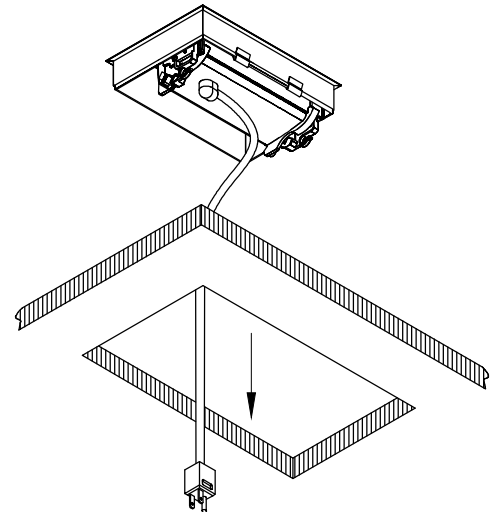
Make a cut out of 6-13/32" X 4" at the desired surface.

2



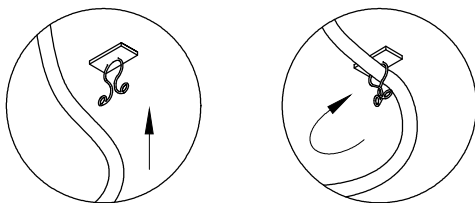
Place metal clips in the slots on the side of the unit. (NOTE: Metal clips are for use in hard surface material only as an optional mounting means.)

3



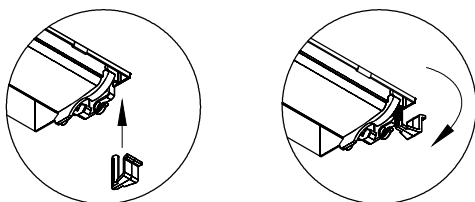
Drop in unit into cut out.

4



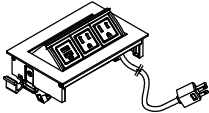



Optional wire manager.

5



Secure unit by turning bottom wing clamp.

TABLE OF CONTENTS:

1 X PCS82B-U1
1 X WIRE MANAGER
2 X METAL CLIPS
2 X WING CLAMP