

PCS82B/3E

PROPRIETARY AND CONFIDENTIAL.
ALL DIMENSIONS HAVE A +/- 1/16" TOLERANCE UNLESS OTHERWISE SPECIFIED. WE DO NOT RECOMMEND DRILLING OR CUTTING ANY HOLES BEFORE RECEIVING A PRODUCT OR A PRODUCT SAMPLE.

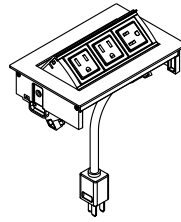
⚠ WARNING ⚠

- For indoor use only.
- For use on a normally dry work surface.
- If any malfunction occurs, do not attempt to disassemble or repair.
- Allow enough clearance for part operation.
- Avoid liquid spills into outlet.
- Do not insert foreign objects into the socket.

SPECIFICATIONS

- 6 ft. cord length.
- Table thickness is 7/8" MIN. to 1-11/16" MAX.
- Plug dimension is 1-11/32" X 1-1/32" X 7/8".

TABLE OF CONTENTS



..... 1X PCS82B/3E



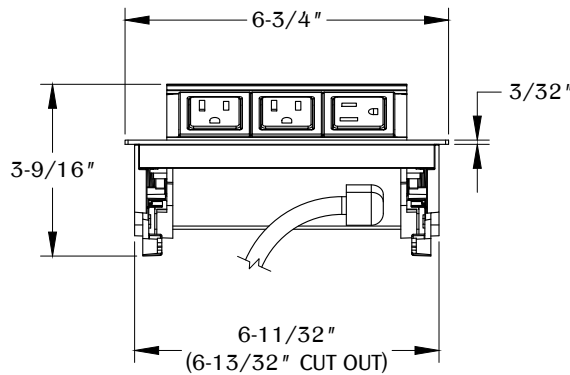
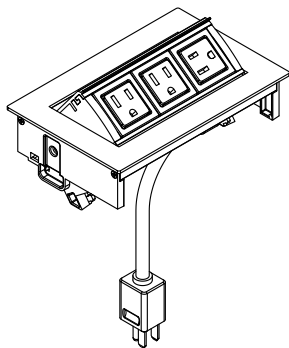
..... 1X Wire Manager



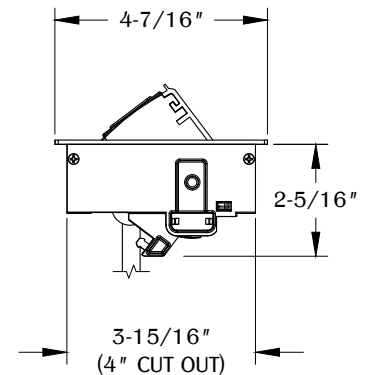
..... 2X Metal Clips



..... 2X Wing Clamps

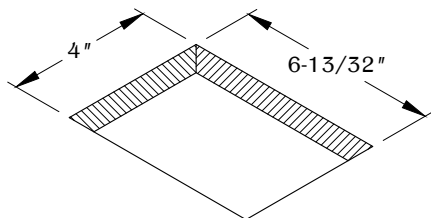


FRONT VIEW



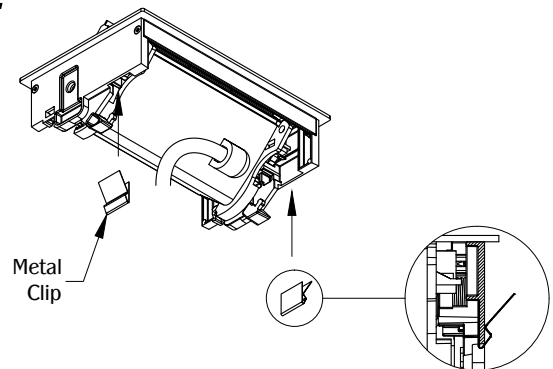
SIDE VIEW

1



Determine the position and location of the unit in the work surface. Cut the hole at 6-13/32" X 4". Place and allow enough clearance for unit operation. DO NOT place unit where the cables are strained or trapped.

2

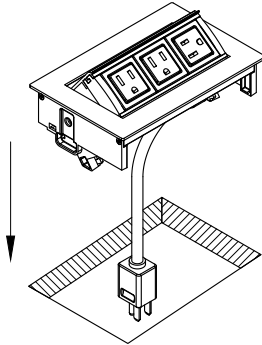


Place the metal clip at the front of each side of the unit. (NOTE: Metal clips are for use in hard surface material only as an optional mounting means.)

PCS82B/3E

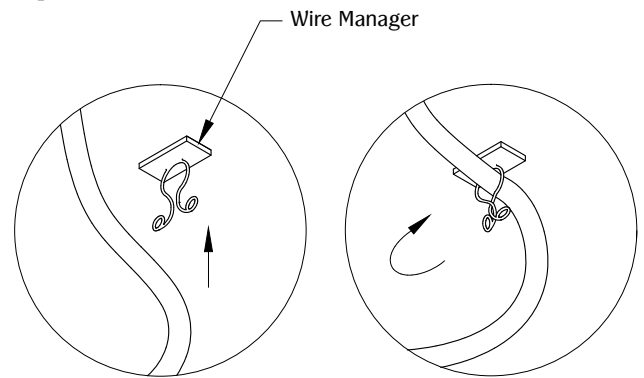
PROPRIETARY AND CONFIDENTIAL.
ALL DIMENSIONS HAVE A +/- 1/16" TOLERANCE UNLESS OTHERWISE SPECIFIED. WE DO NOT RECOMMEND DRILLING OR CUTTING ANY HOLES BEFORE RECEIVING A PRODUCT OR A PRODUCT SAMPLE.

3



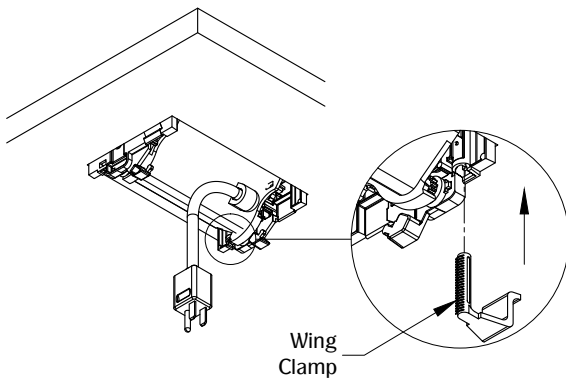
Guide the power cords through the cut out. Install the unit into the cut out and make sure it is fully leveled onto the surface.

4



Optional wire manager.

5



Secure unit by turning bottom wing clamp.