

PART #

PCS82/2C/U1

310.318.2491 • 800.523.1269 • www.mockett.com



USB plugs for CHARGING USE ONLY.

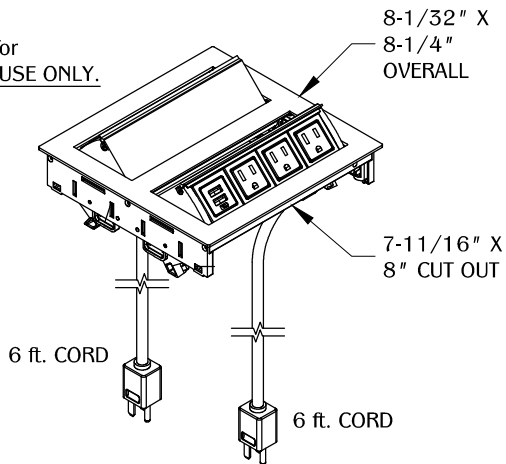
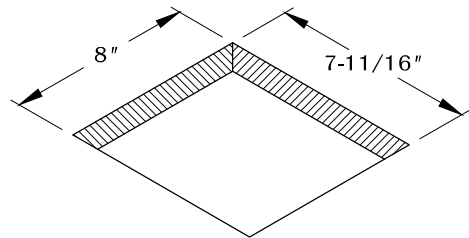


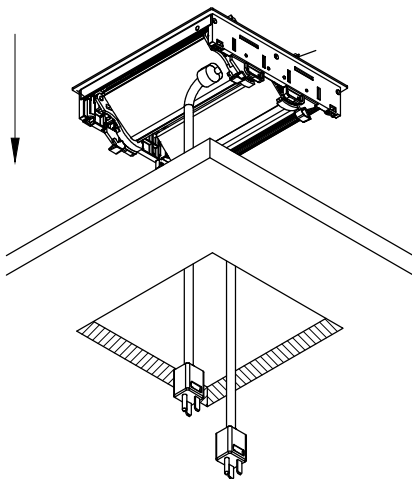
TABLE THICKNESS = 3/4" MIN. to 1-11/16" MAX.

1



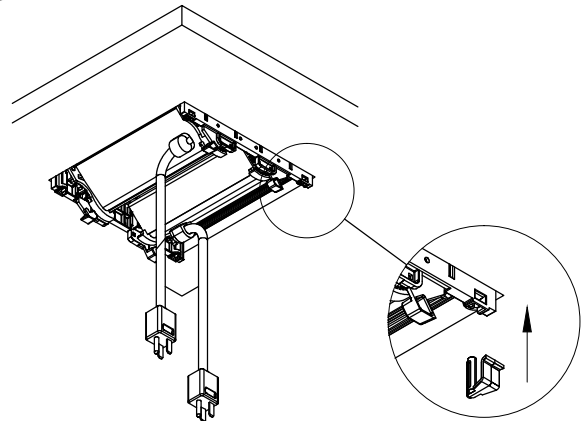
Determine the position and location of the unit on the work surface. Cut the hole at 8" X 7-11/16".

2



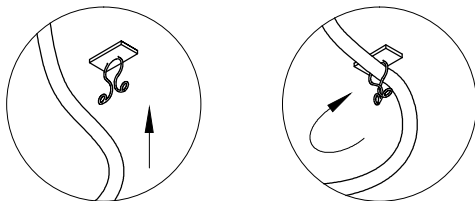
Guide the cord into the cut out. Make sure the unit is fully leveled on the work surface.

3



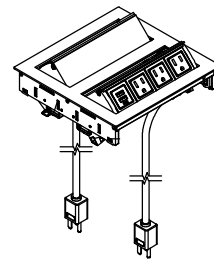
Use (4) wing clamps to secure the unit.

5



Optional wire manager.

TABLE OF CONTENTS:



..... 1 X PCS82/2C/U1
(6 POWER &
2 DUAL USB)



..... 2 X WIRE MANAGER



..... 4 X WING CLAMP