

PCS82/2A/2E

PROPRIETARY AND CONFIDENTIAL.
ALL DIMENSIONS HAVE A +/- 1/16" TOLERANCE UNLESS OTHERWISE SPECIFIED. WE DO NOT RECOMMEND DRILLING OR CUTTING ANY HOLES BEFORE RECEIVING A PRODUCT OR A PRODUCT SAMPLE.

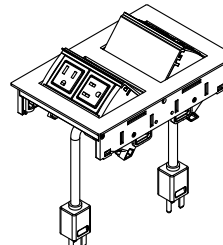



⚠ WARNING ⚠

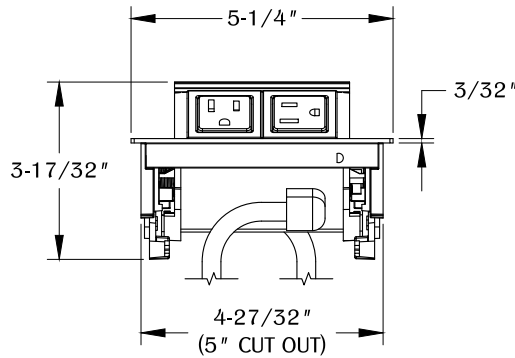
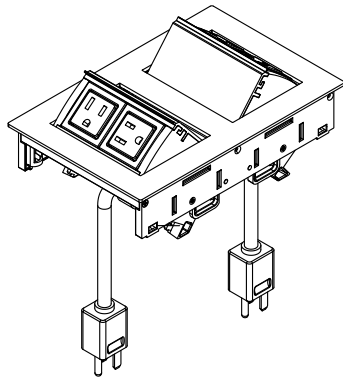
- For indoor use only.
- For use on a normally dry work surface.
- If any malfunction occurs, do not attempt to disassemble or repair.
- Allow enough clearance for part operation.
- Avoid liquid spills into outlet.
- Do not insert foreign objects into the socket.

SPECIFICATIONS

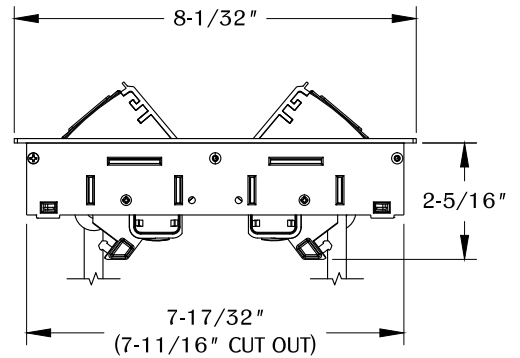
- 2 X 6 ft. cord length.
- Table thickness is 3/4" MIN. to 1-11/16" MAX.
- Plug dimension is 1-11/32" X 1-1/32" X 7/8".

TABLE OF CONTENTS

 1X PCS82/2A/2E
2X Wire Manager
4X Metal Clips
4X Wing Clamps

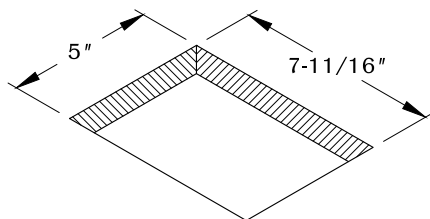


FRONT VIEW



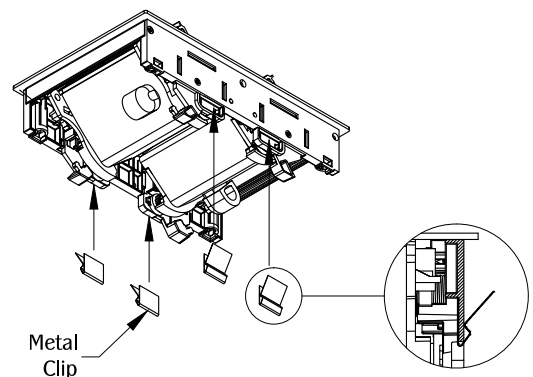
SIDE VIEW

1



Determine the position and location of the unit in the work surface. Cut the hole at 7-11/16" X 5". Place and allow enough clearance for unit operation. DO NOT place unit where the cables are strained or trapped.

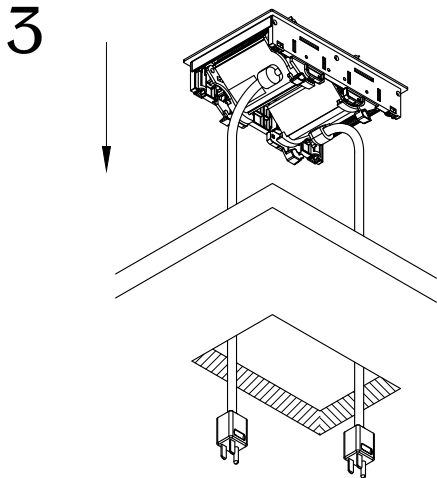
2



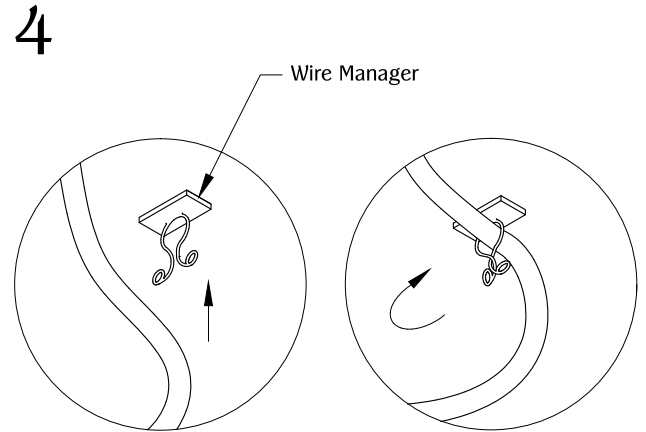
Place the (4) metal clips at the sides of the unit. (NOTE: Metal clips are for use in hard surface material only as an optional mounting means.)

PCS82/2A/2E

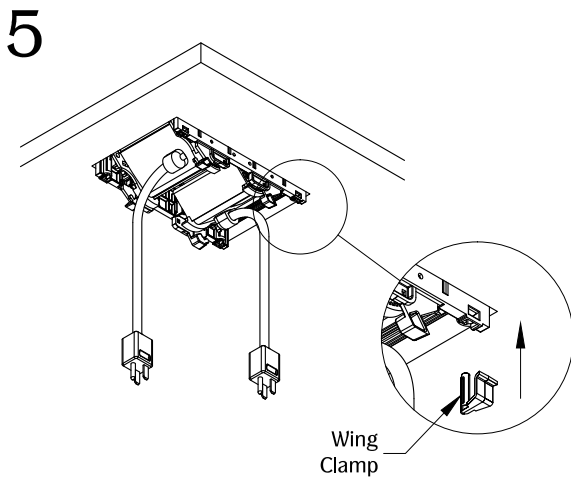
PROPRIETARY AND CONFIDENTIAL.
ALL DIMENSIONS HAVE A +/- 1/16" TOLERANCE UNLESS OTHERWISE SPECIFIED. WE DO NOT RECOMMEND DRILLING OR CUTTING ANY HOLES BEFORE RECEIVING A PRODUCT OR A PRODUCT SAMPLE.



Guide the power cords through the cut out. Install the unit into the cut out and make sure it is fully leveled onto the surface.



Optional (2) wire manager.



Secure unit by turning (4) bottom wing clamp.