

PCS76/WC/M

PROPRIETARY AND CONFIDENTIAL.
ALL DIMENSIONS HAVE A +/- 1/16" TOLERANCE UNLESS OTHERWISE SPECIFIED. WE DO NOT RECOMMEND DRILLING OR CUTTING ANY HOLES BEFORE RECEIVING A PRODUCT OR A PRODUCT SAMPLE.

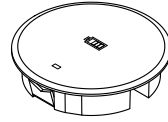
⚠ WARNING ⚠

- To reduce the risk of electric shock use only indoors.
- If any malfunction occurs, do not attempt to disassemble or repair.
- Avoid placing the charger in a high temperature environment or near fire.
- For in-counter top mounting only.
- Allow enough clearance for part operation.
- Do not place metal on the wireless charging area.
- Metal objects, bank cards, digital IC cards should not be placed between the charger and the phone to avoid damage.
- To ensure proper performance, only use the included power adapter with the unit.

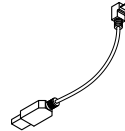
SPECIFICATIONS

- USB cord length is 5 ft.
- Wireless output is 15W MAX.
- Table thickness is 12.50mm (1/2") MIN.
- Mobile device must be equipped with a wireless charging receiver (Wireless charging accessories not included.) Check mobile manufacturer for compatibility.
- Power adapter dimension is 1-5/8" X 1-1/16" X 1-29/32".

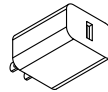
TABLE OF CONTENTS



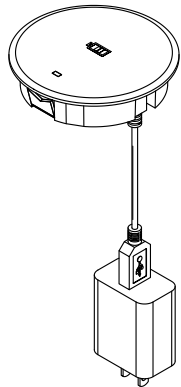
..... 1X PCS76/WC/M



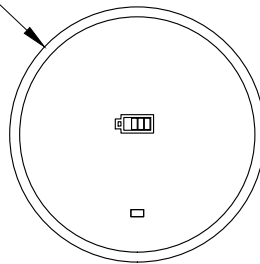
..... 1X USB Power Cord



..... 1X PCS/AC/3A

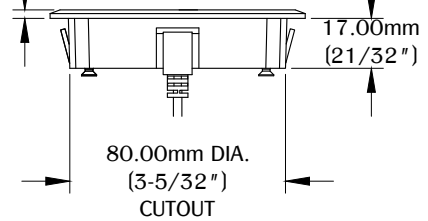


90.00mm DIA.
(3-17/32")



TOP VIEW

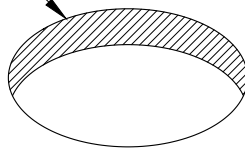
3.00mm
(1/8")



FRONT VIEW

1

80.00mm DIA.
(3-5/32")
CUTOUT

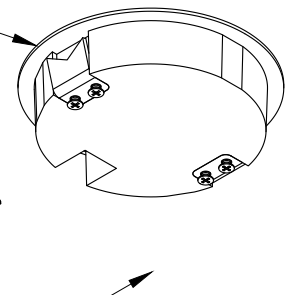


Determine the position and location of the unit on the work surface. Make a cutout in the desired location on your work surface. Allow enough clearance for unit operation. DO NOT place unit where cable is strained or trapped. Cut the hole at 80.00mm diameter (3-5/32").

2

PCS76/WC/M

USB
Power Cord

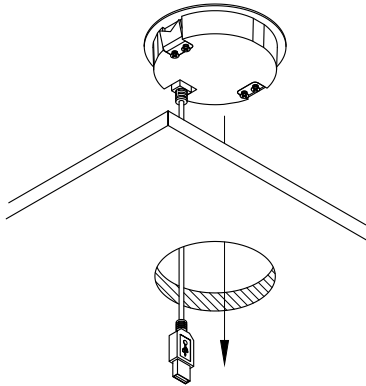


Insert the micro USB plug into the port at the bottom of the unit.

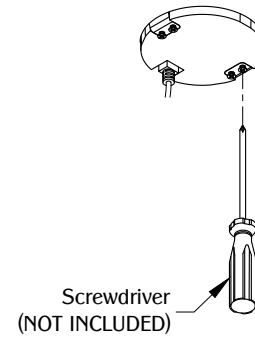
PCS76/WC/M

PROPRIETARY AND CONFIDENTIAL.

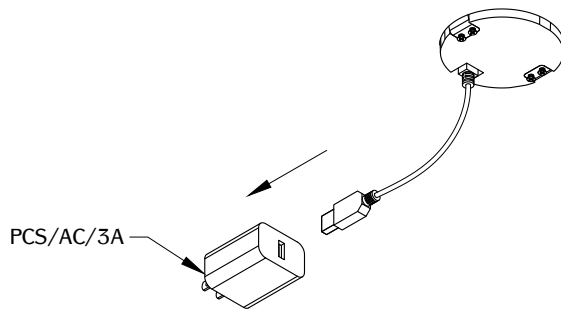
ALL DIMENSIONS HAVE A +/- 1/16" TOLERANCE UNLESS OTHERWISE SPECIFIED. WE DO NOT RECOMMEND DRILLING OR CUTTING ANY HOLES BEFORE RECEIVING A PRODUCT OR A PRODUCT SAMPLE.

3

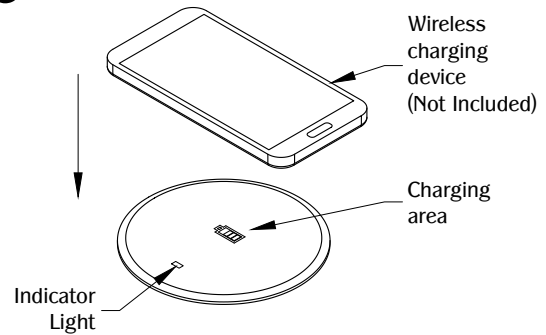
Install the unit into the cutout and be sure it is fully level on the surface.

4

Use a screwdriver under the unit to tighten (4) screws to lock into the work surface.

5

Plug in the USB plug from the unit to the PCS/AC/3A. Plug the unit into nearby outlet and unit is ready for use.

6

Position the mobile device on the center of the charging area. The indicator light activates to signify that the device is actively charging or the charging icon will activate on the device's screen.