

NOTE:

Barrel connector from AC/DC plug must be fed up through opening and connected to cap BEFORE inserting cap into liner. Once cap is snapped in place inside the liner, it cannot be removed and plug cannot be inserted. (see image #1)

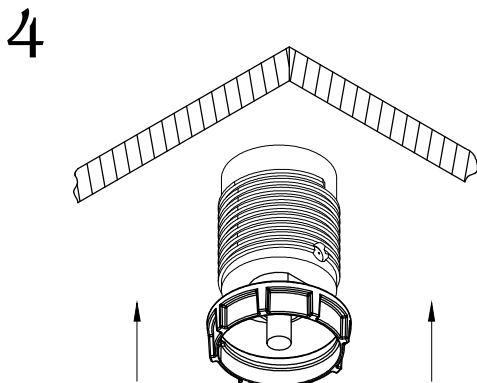
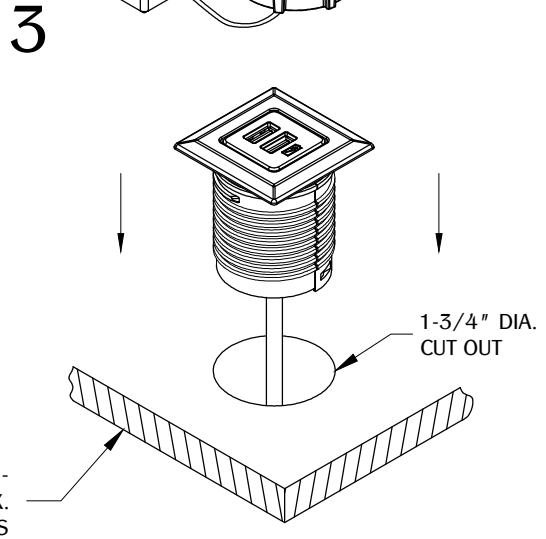
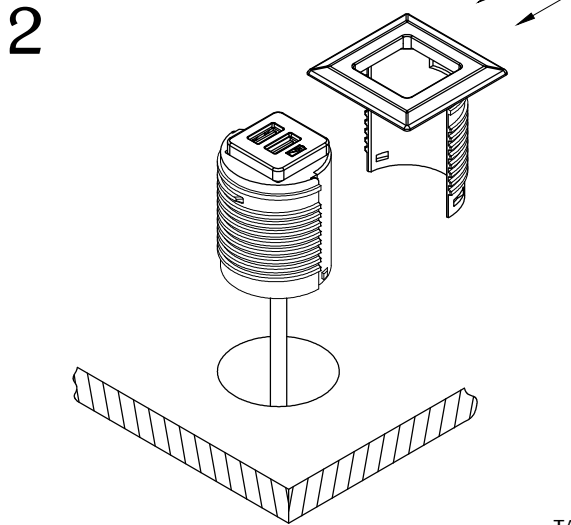
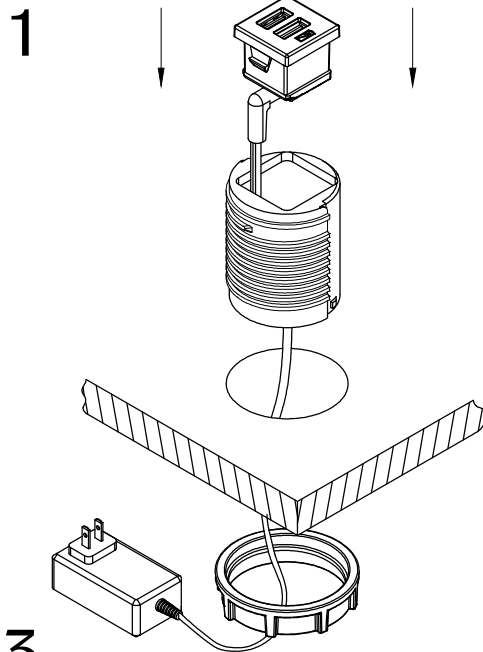
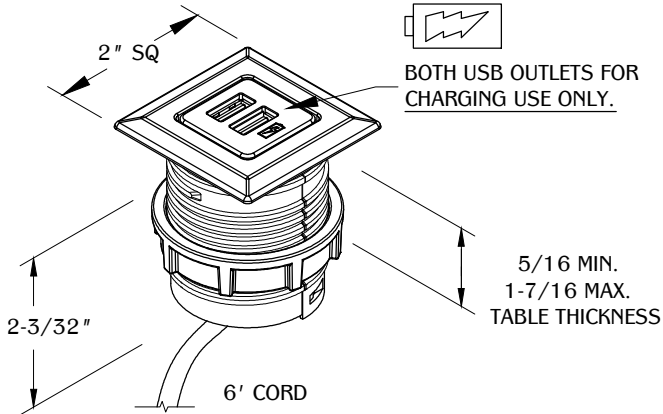




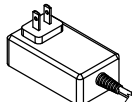


TABLE OF CONTENTS:

	PCS75S/U
	PCS75 USB INSERT
	METAL FLANGE
	LOCKING RING
	POWER SUPPLY