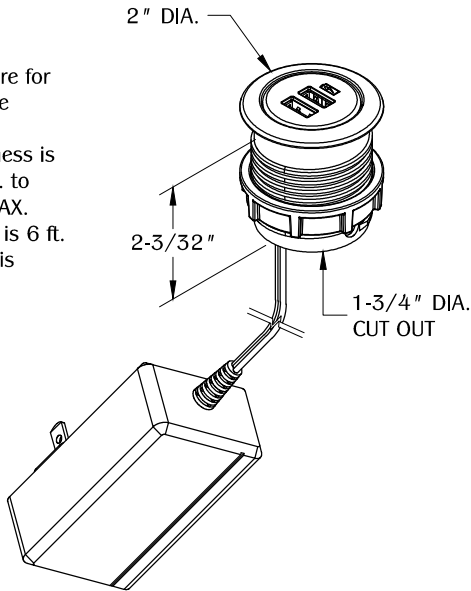
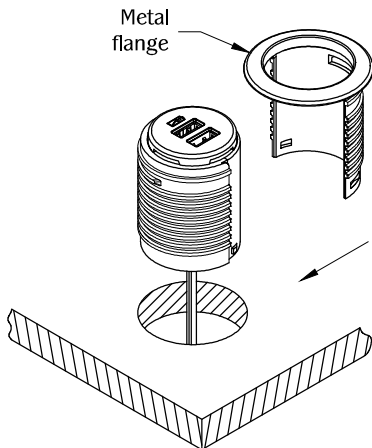


NOTE:

- USB ports are for charging use ONLY.
- Table thickness is 5/16" MIN. to 1-7/16" MAX.
- Cord length is 6 ft.
- AC adapter is 4-1/8" X 2-3/16" X 1-7/8".

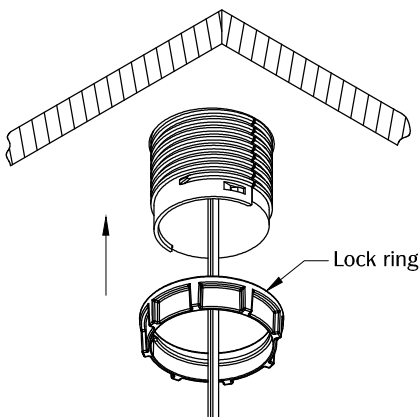


2



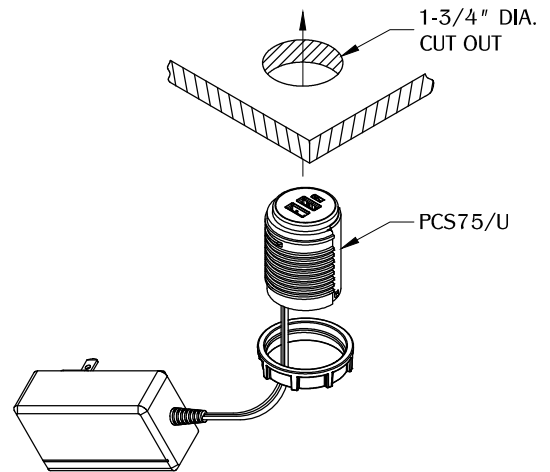
Snap the metal flange to the unit.

4



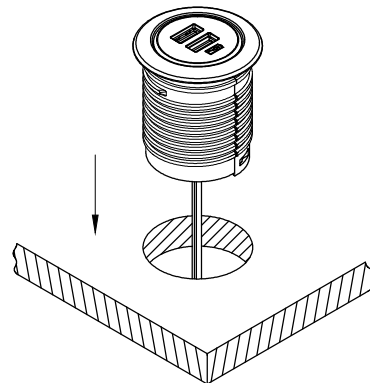
Secure the unit by using the lock ring under the work surface.

1






Determine the position and location of the unit on the work surface. Cut the hole at 1-3/4" DIA. Place and allow enough clearance for unit operation. DO NOT place unit where the cable is strained or trapped. Feed the the unit from the bottom of the work surface through the cut out.

3



Install the unit into the cut out and make sure it is fully leveled onto the surface.

TABLE OF CONTENTS:

	.....1X PCS75/U
	.....1X Metal Flange
	.....1X Lock ring