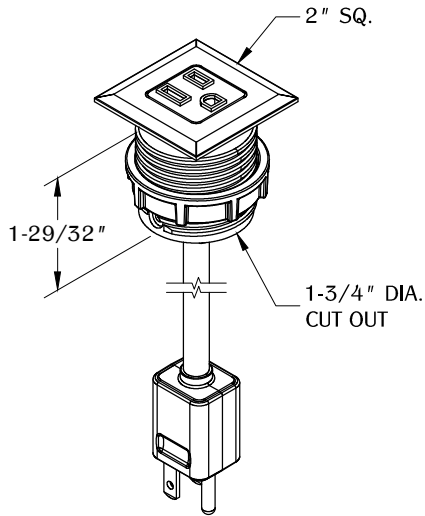
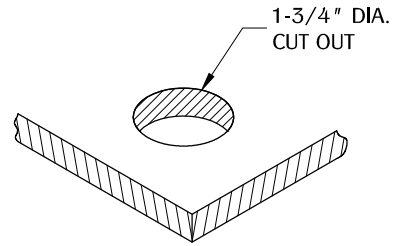


NOTE:

- Table thickness is 5/16" MIN. to 1-7/16" MAX.
- Cord length is 6 ft.

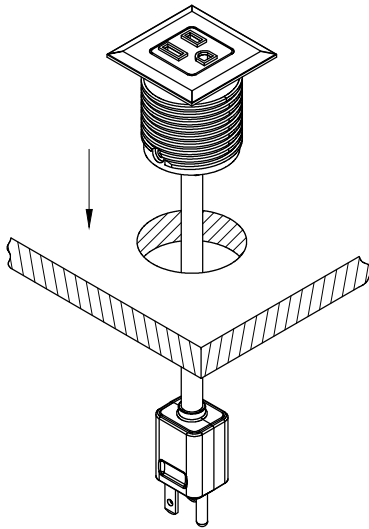


1



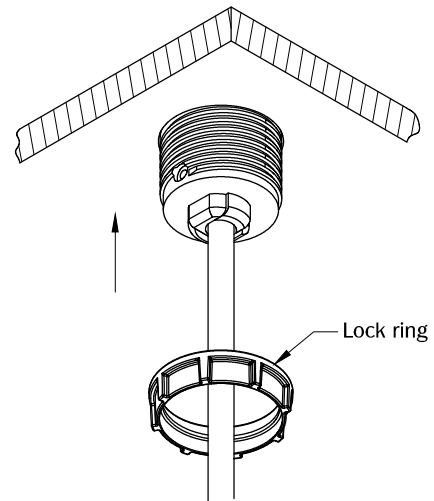
Determine the position and location of the unit on the work surface. Cut the hole at 1-3/4" DIA. Place and allow enough clearance for unit operation. DO NOT place unit where the cable is strained or trapped. Feed the the unit from the bottom of the work surface through the cut out.

2



Install the unit into the cut out and make sure it is fully leveled onto the surface.

3



Secure the unit by using the lock ring under the work surface.

TABLE OF CONTENTS:



.....1X PCS75/SQ



.....1X Lock ring