

USB plugs for
CHARGING USE ONLY.

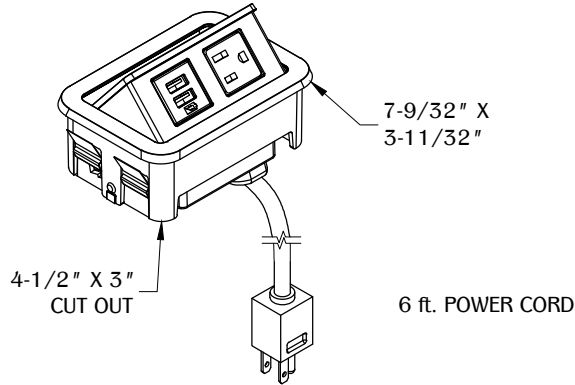
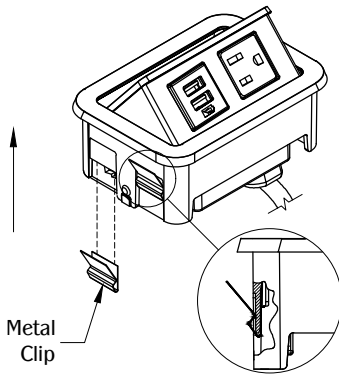


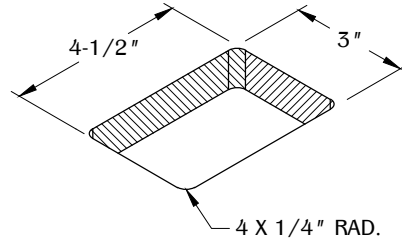
TABLE THICKNESS: 1/2" THICK MIN.

2



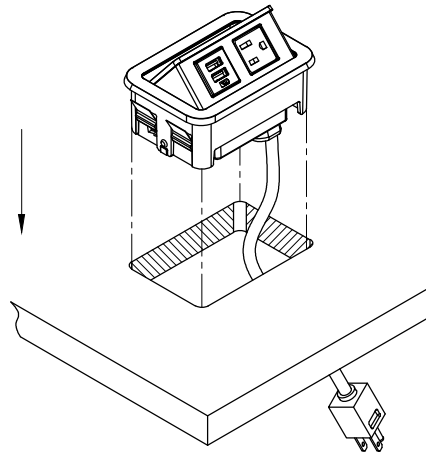
Place the (4) metal clips on both sides of the unit.

1



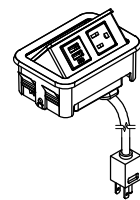
Make a cut out in the desired work surface.
(Note: Cut out corners must have 1/4" radius.)

3



Guide the power cord through the cut out. Install unit into the cut out and make sure it is fully leveled onto surface.

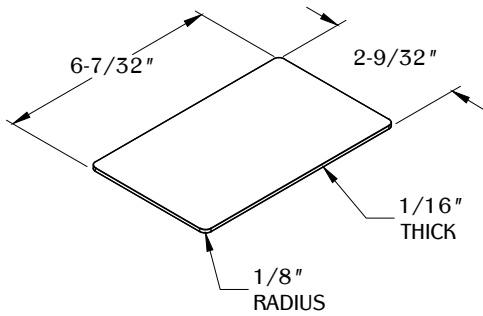
TABLE OF CONTENTS:



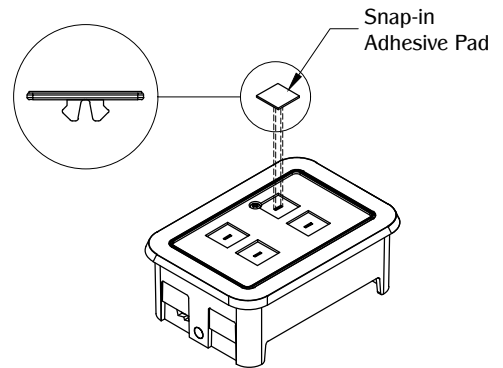
..... 1 X PCS68A/USB
(1 POWER, 1 DUAL
USB)



..... 4 X Metal Clip

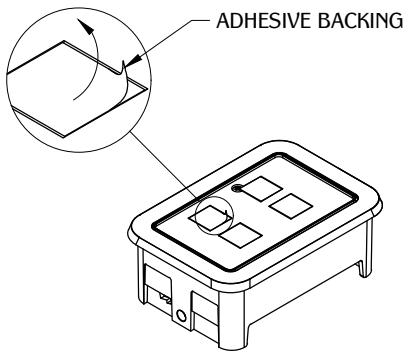


1



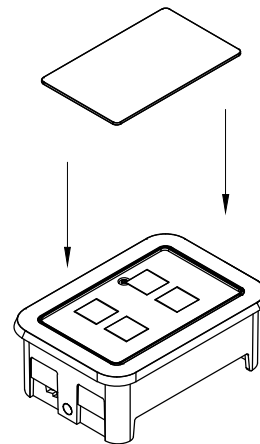
Align the Snap-in Adhesive pads to the top of the unit.

2



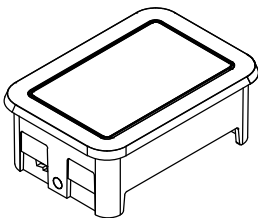
Peel off the adhesive backing on four places.

3



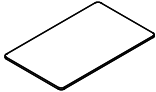

Align the top to the unit.

4



Press down gently to secure top.

TABLE OF CONTENTS:

2 X PCS68A Top
4 X Snap-in Adhesive Pad