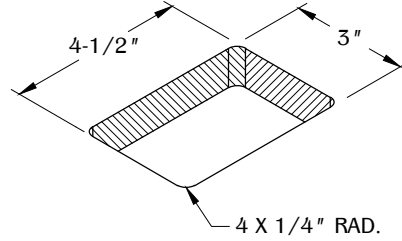


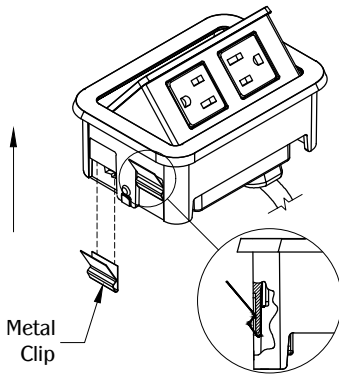
TABLE THICKNESS: 1/2" MIN.

1



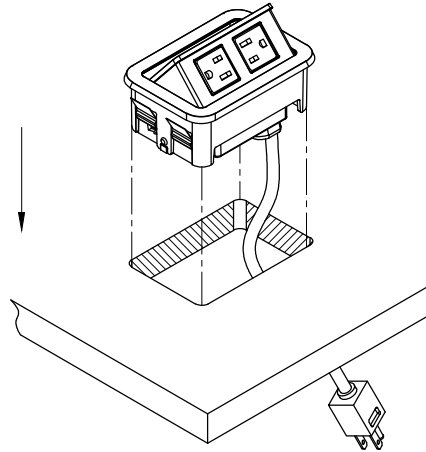
Make a cut out in the desired work surface.  
(Note: Cut out corners must have 1/4" radius.)

2



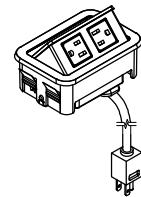
Place the (4) metal clips on both sides of the unit.

3



Guide the power cord through the cut out. Install unit into the cut out and make sure it is fully leveled onto surface.

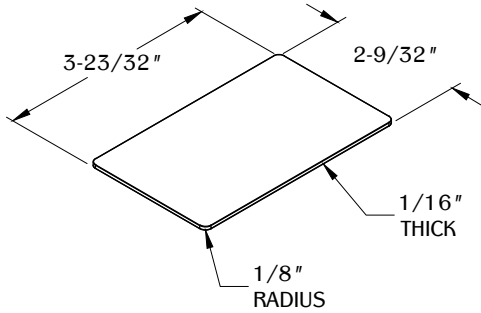
TABLE OF CONTENTS:



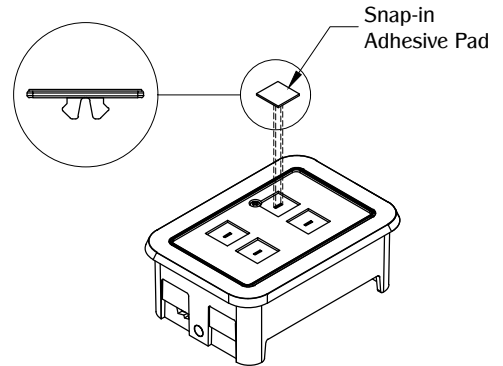
..... 1 X PCS68A/EE  
(2 POWER)



..... 4 X Metal Clip

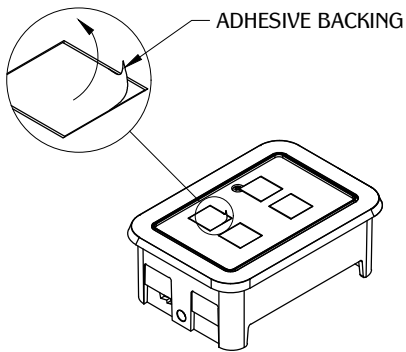


1



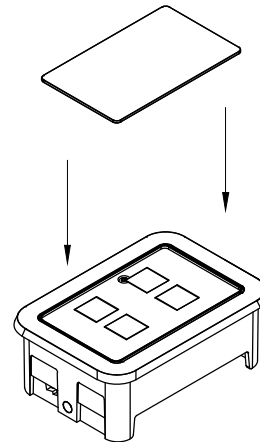
Align the Snap-in Adhesive pads to the top of the unit.

2



Peel off the adhesive backing on four places.

3



4

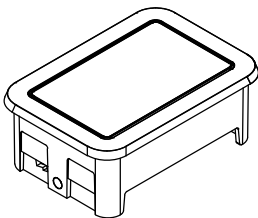
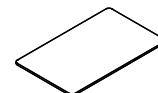


TABLE OF CONTENTS:



.....2 X PCS68A Top



.....4 X Snap-in Adhesive Pad