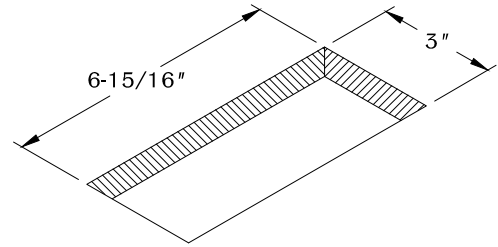
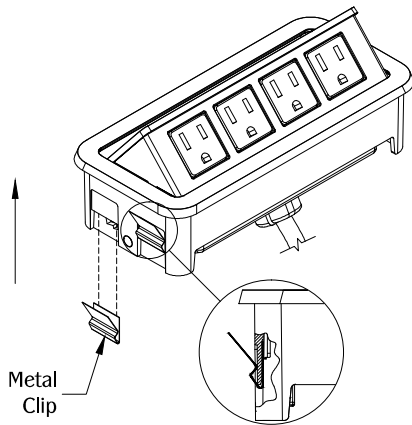


1



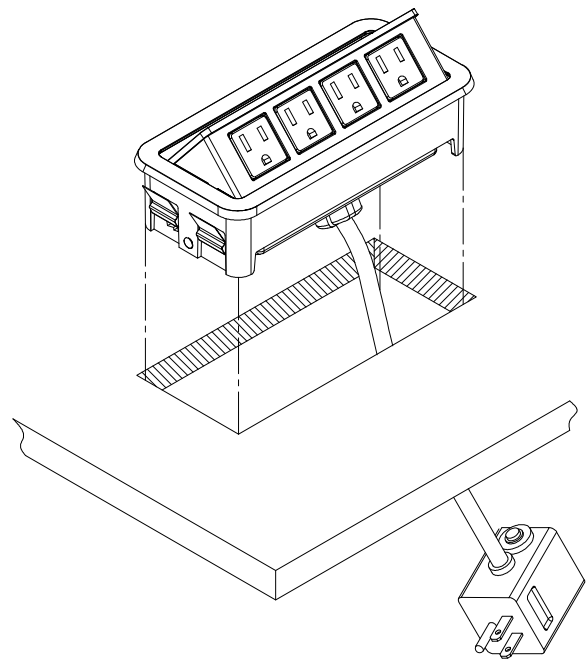
Make a cut out in the desired work surface.
(NOTE: Table thickness must be at least 3/8" minimum.)

2



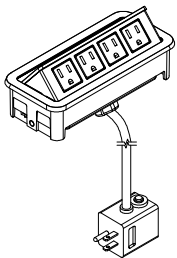
Place the (4) metal clips on both sides of the PCS68 unit.

3



Guide the power cord through the cut out. Install PCS68/4E into the cut out and make sure it is fully leveled onto surface.

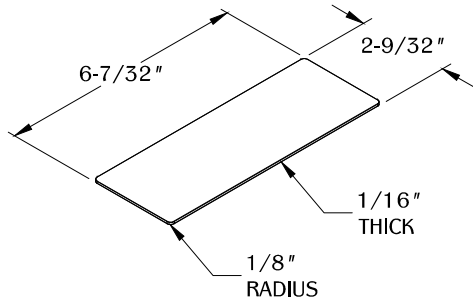
TABLE OF CONTENTS:



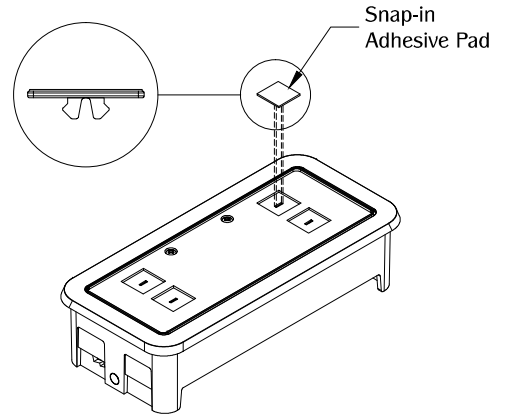
..... 1 X PCS68/4E



..... 4 X Metal Clip

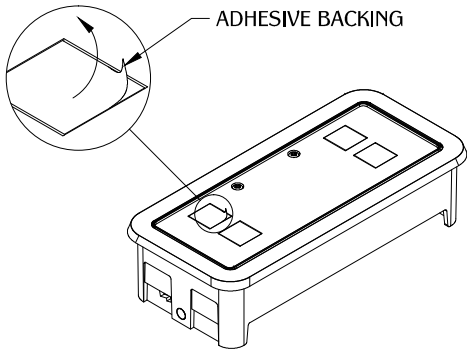


1



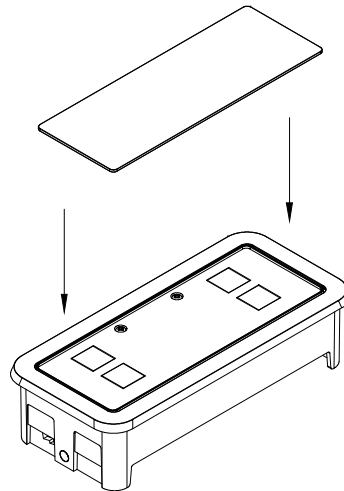
Align the Snap-in Adhesive pads to the top of the unit.

2



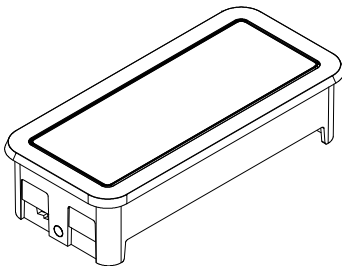
Peel off the adhesive backing on four places.

3



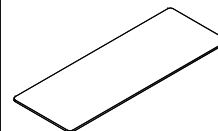
Align the top to the unit.

4



Press down gently to secure top.

TABLE OF CONTENTS:



.....1 X PCS68 Top



.....4 X Snap-in Adhesive Pad