

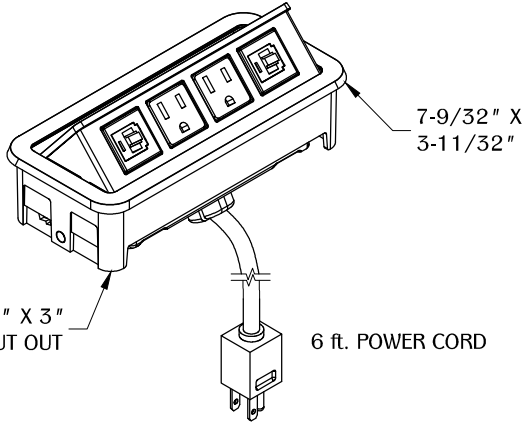
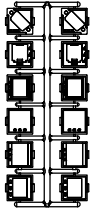
PART #

PCS68/2E

310.318.2491 • 800.523.1269 • www.mockett.com

NOTE:

PLEASE USE APPLICABLE ADAPTER FROM DATA TREE. (SEE PCS DATA TREE PAGE FOR MORE INFORMATION.)

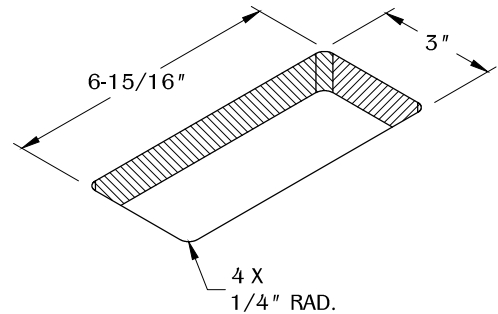


6-15/16" X 3"
CUT OUT

6 ft. POWER CORD

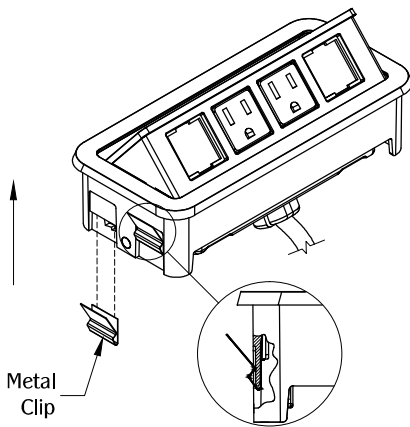
MINIMUM TABLE THICKNESS: 1/2" THICK

1



Make a cut out in the desired work surface.
(NOTE: Cut out corners must contain 1/4" radius.)

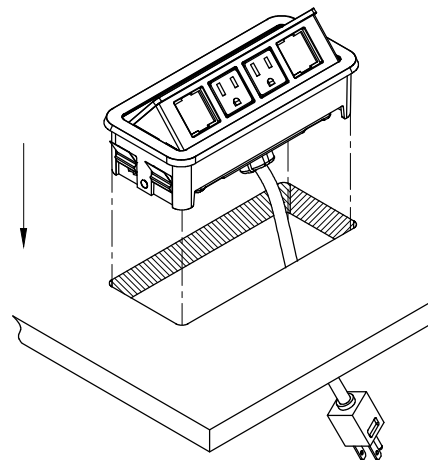
2



Metal Clip

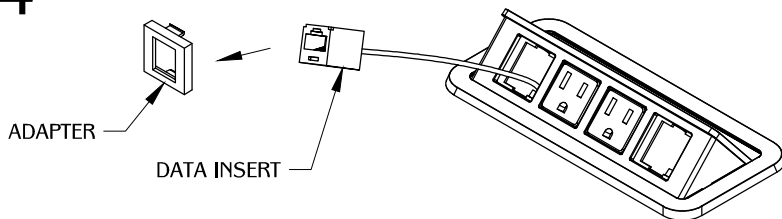
Place the (4) metal clips on both sides of the PCS68 unit.

3



Guide the power cord through the cut out. Install PCS68/2E into the cut out and make sure it is fully leveled onto surface.

4

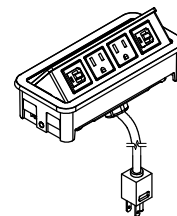


ADAPTER

DATA INSERT

Pick desired data adapter from the PCS68 Data tree. Assemble data insert. Once assembled, snap adapter into the notched, square holes in the unit.

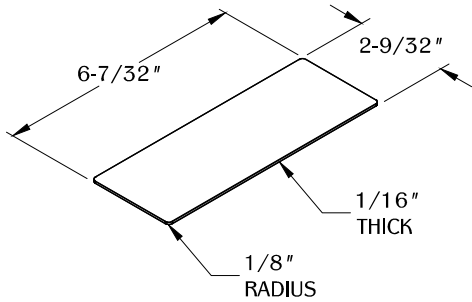
TABLE OF CONTENTS:



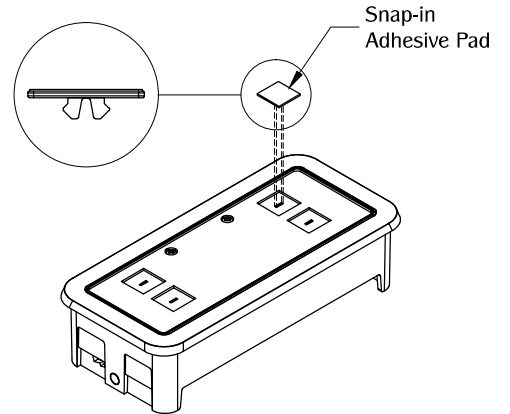
..... 1 X PCS68/2E
(2 POWER, 2 DATA)



..... 4 X Metal Clip

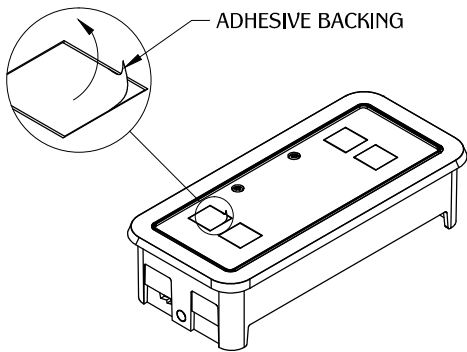


1



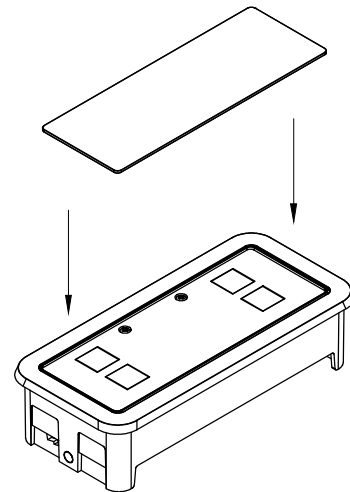
Align the Snap-in Adhesive pads to the top of the unit.

2



Peel off the adhesive backing on four places.

3



4

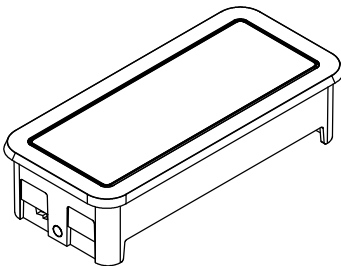
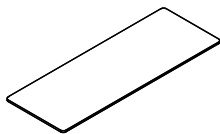
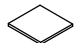
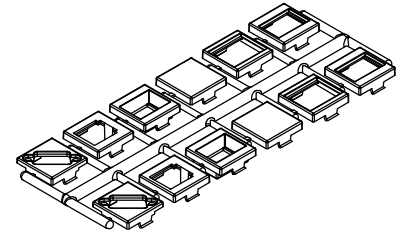


TABLE OF CONTENTS:

| | |
|---|-------------------------------|
|  |2 X PCS68 Top |
|  |4 X Snap-in Adhesive Pad |

PCS Data Tree

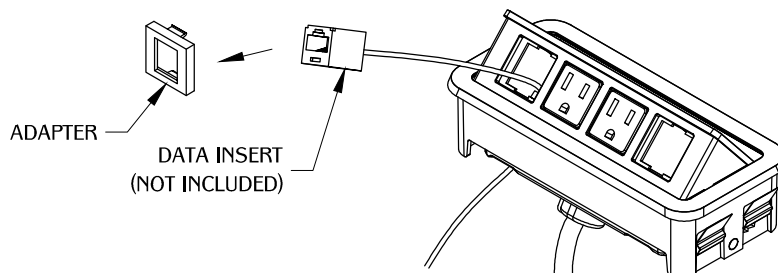
- 1.) Select the appropriate adapter from the chart below. (example: Panduit Mini-Com Series jack would use "FFF" adapter marked on back of adapter.)



*Jacks, not included, UL Listed (DUXR) or Recognized (DUXR2) jacks required.

| Adapter | Manufacturer | Website |
|---------|--|-------------------------|
| BBB | L-Com Keystone Modular | www.L-Com.com |
| BBB | NETCONNECT, and 110 Connect Series Modular Jack | www.Anixter.com |
| BBB | Siemon ZMAX Style | www.Siemon.com |
| BBB | Allen Tel Versa Tap Series | www.Graybar.com |
| BBB | Leviton Quick Port ® Series | www.Leviton.com |
| BBB | Belden REVConnect | www.Belden.com |
| BBB | HDMI Adapter Cable | www.Mockett.com |
| CCC | Hubbell Nextspeed™ Keystone Series | www.Hubbell-premise.com |
| CCC | ADC Truenet Series | www.Anixter.com |
| DDD | Blank (no coupler/jack) | - |
| EEE | Ortronics TracJack Series | www.Ortronics.com |
| FFF | Panduit Mini-Com Series | www.Panduit.com |
| HHH | Video Monitor Jack/DB-15, panel mount solder style | www.Mockett.com |

- 2.) Snap Jack into adapter following the instructions provided with the jack.
 3.) Once assembled, snap adapter into the notched, square holes in the orientation shown.



NOTE: Please verify fit of jack in adapter before ordering large quantities as manufacturer designs may change without notice.