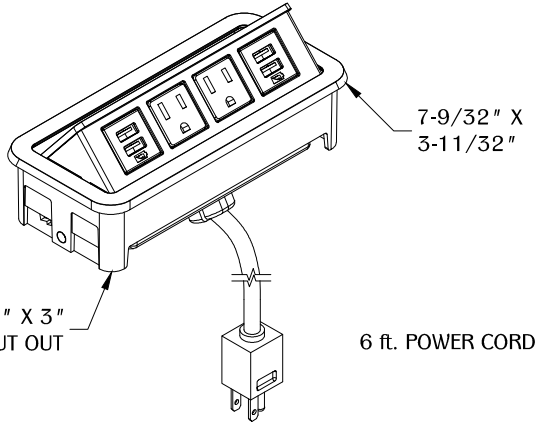
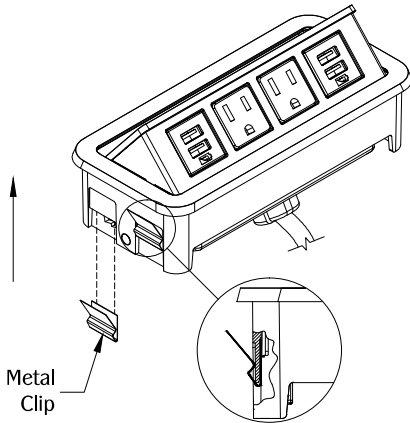


USB plugs for  
CHARGING USE ONLY.



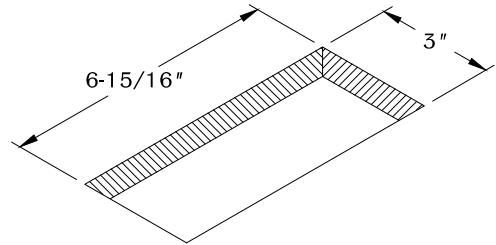
MINIMUM TABLE THICKNESS: 3/8"

### 2



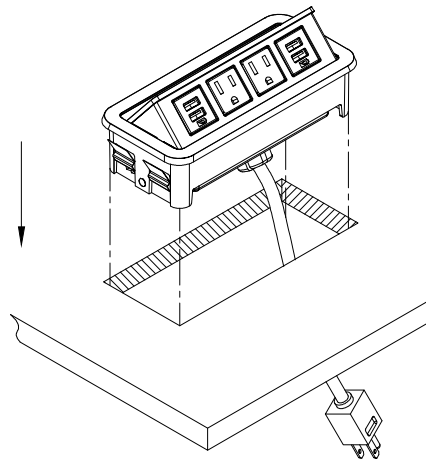
Place the (4) metal clips on both sides of the PCS68 unit.

### 1



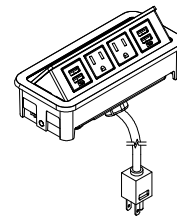
Make a cut out in the desired work surface.  
(NOTE: Table thickness must be at least 3/8" minimum.)

### 3



Guide the power cord through the cut out. Install PCS68/2E/U2 into the cut out and make sure it is fully leveled onto surface.

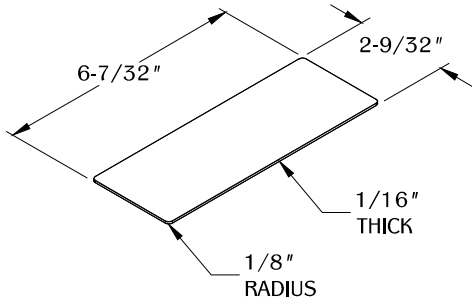
#### TABLE OF CONTENTS:



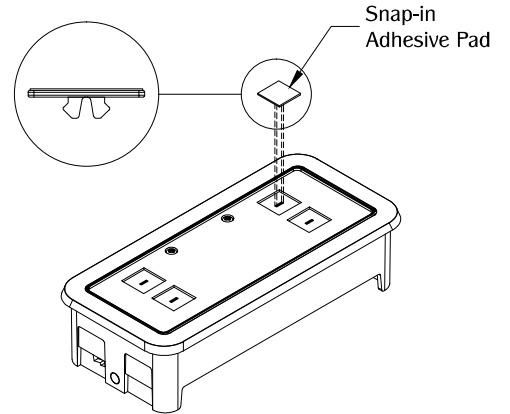
.....1 X PCS68/2E/U2



.....4 X Metal Clip

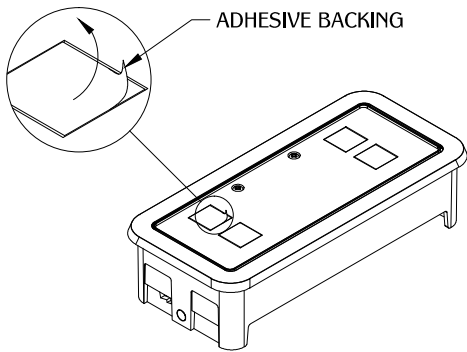


1



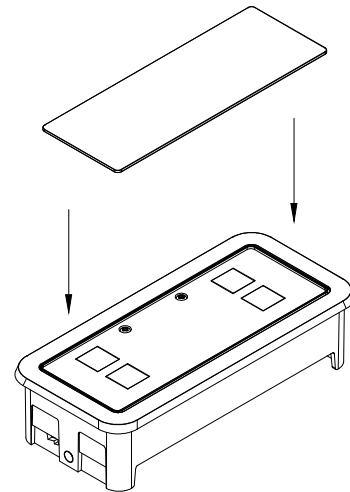
Align the Snap-in Adhesive pads to the top of the unit.

2



Peel off the adhesive backing on four places.

3



4

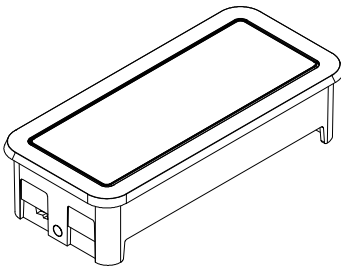
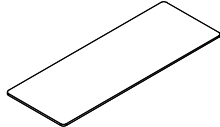
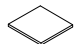


TABLE OF CONTENTS:	
	.....2 X PCS68 Top
	.....4 X Snap-in Adhesive Pad